

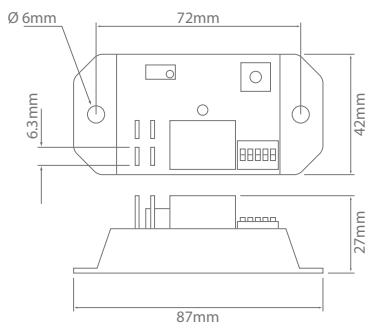
Switching Systems

Speed/Frequency Switch

- Selectable frequency via DIP switches.
- Designed to work with all standard signal inputs e.g. magnetic pick up, computer signal, ignition coil, sensor.
- Ground signal sent once predetermined frequency has been reached.
- Adjustable hysteresis to help prevent chattering at the switch point.
- LED indicates activation.
- Epoxy filled for enhanced moisture & vibration protection.
- 12 or 24 volt operation, selectable via DIP switch.



Voltage : 12V or 24V (selectable)
Current Rating : 3A @ 12V
Hysteresis : Adjustable
Input Frequency : 10 - 12,000 Hz
Input Signal : Sine, square wave
Input Voltage : 1.5VAC - 50VAC



Speed/Frequency Switch

Part No.	Description
SS301	Multi adjustable frequency switch

