

High Current



High Current



High Current **84**



Jump Start Connector **86**



Junction Blocks **87**



Terminal Busbars **92**

High Current

High Current



SB350RED



SB175-HANDLE

SB175

SB175-PC

- Quick & easy connection.
- Heavy-duty construction.
- Silver-plated copper contacts provide low resistance for superior conductivity.



Contact :
Operating Temperature :
Approvals :

Silver-plated Copper
-20°C to 105°C
UL, RoHS

SB50RED



SB50RED



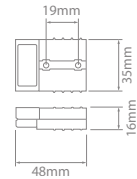
SB50



SB50BLACK



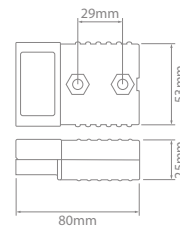
SB50BLUE



SB175RED



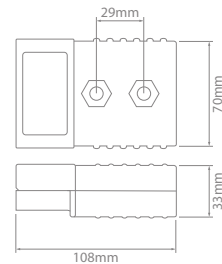
SB175



SB350RED



SB350-50

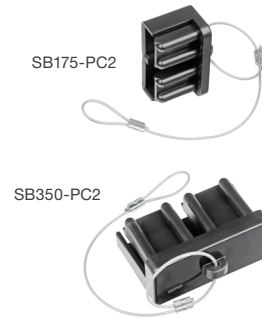
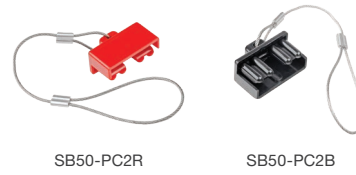


High Current Connectors

Current Rating (A)	Colour				Cable Size	
	Red	Grey	Black	Blue	AWG	mm ²
50	SB50RED	SB50	NEW SB50BLACK	SB50BLUE	6	13.3
175	SB175RED	SB175	—	—	1/0	53.5
	—	SB175-35	—	—	2	38
350	SB350RED	SB350	—	—	2/0	67.4
	—	SB350-50	—	—	1/0	53.5

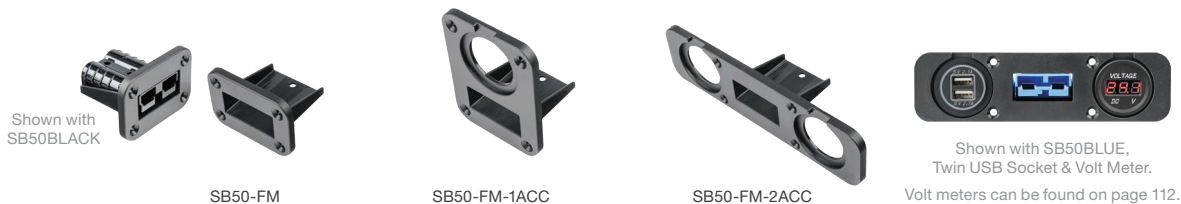
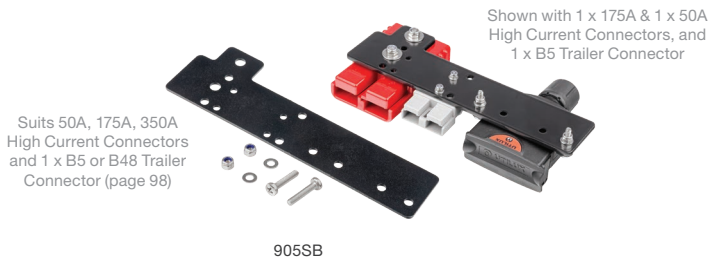
Red, grey, black & blue models are keyed differently to avoid mismatching.

High Current



High Current Connectors – Covers

Suits Current Rating (A)	PVC			Polycarbonate	
	Red	Black	Grey	Red	Black
50	SB50-PC	SB50-PC-BLK	SB50-PC-GREY	SB50-PC2R	SB50-PC2B
175	SB175-PC	—	—	—	SB175-PC2
350	SB350-PC	—	—	—	SB350-PC2



High Current Connectors – Accessories

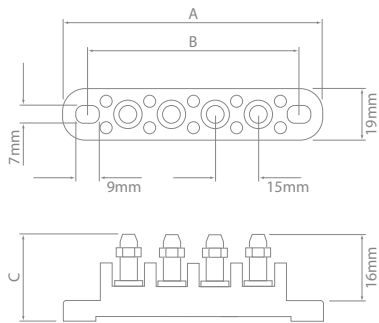
Suits Current Rating (A)	Part No.	Description
50 & 175	905SB	Mounting bracket. Supplied with fitting hardware
50	SB50-HANDLE	Handle kit, includes fitting hardware
175*	SB175-HANDLE	Handle kit, includes fitting hardware. Suits 350A connectors with appropriate nuts & bolts (user supplied)
50	SB50-FM	Flange mount bracket
50	SB50-FM-1ACC	Flange mount bracket, one 30mm accessory cutout
50	SB50-FM-2ACC	Flange mount bracket, two 30mm accessory cutouts



- Provides ground or power connection points for AC or DC circuits.
- Hard wearing thermoplastic base on most models.
- Blocks with up to 12 terminals available.
- Heavy-duty Single Stud models up to 400A.
- Numbered terminals on Multiple Stud models.
- Ideal for transformers, vehicle, electrical, communication and solar systems.



Base : Thermoplastic
 Flexible Junction Blocks Polymer
 Operating Temperature : 120°C max.
 Flexible Junction Blocks 80°C max.



Multiple Stud

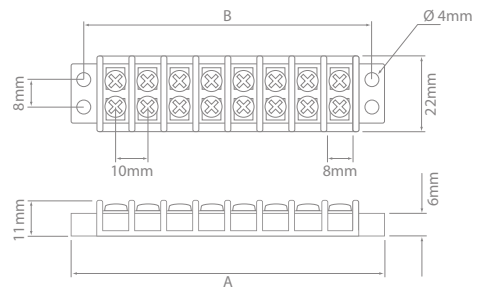
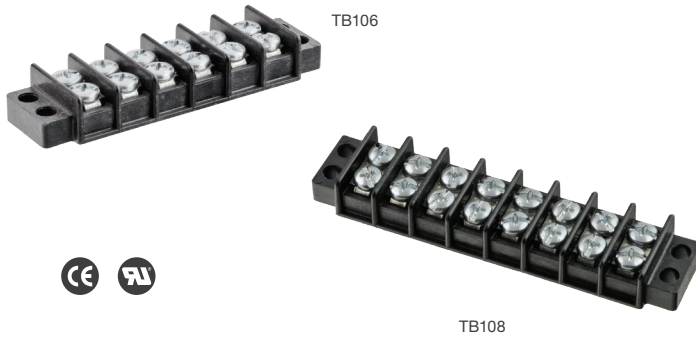
Part No.	Circuits	Stud Ø (mm)	A (mm)	B (mm)	C (mm)
C5237-1	1	4.6	51	31	30
C5237-2	2	4.6	67	47	30
C5237-4	4	4.6	99	79	30
C5237-5	5	4.6	115	95	30
C4559-5*	5	4.6	133	113	27
C5237-6	6	4.6	130	110	30
C5237-8	8	4.6	162	142	30
C5237-12	12	4.6	225	205	30

30A per terminal.

* Supplied with star washers. This model has insulated wall barriers.



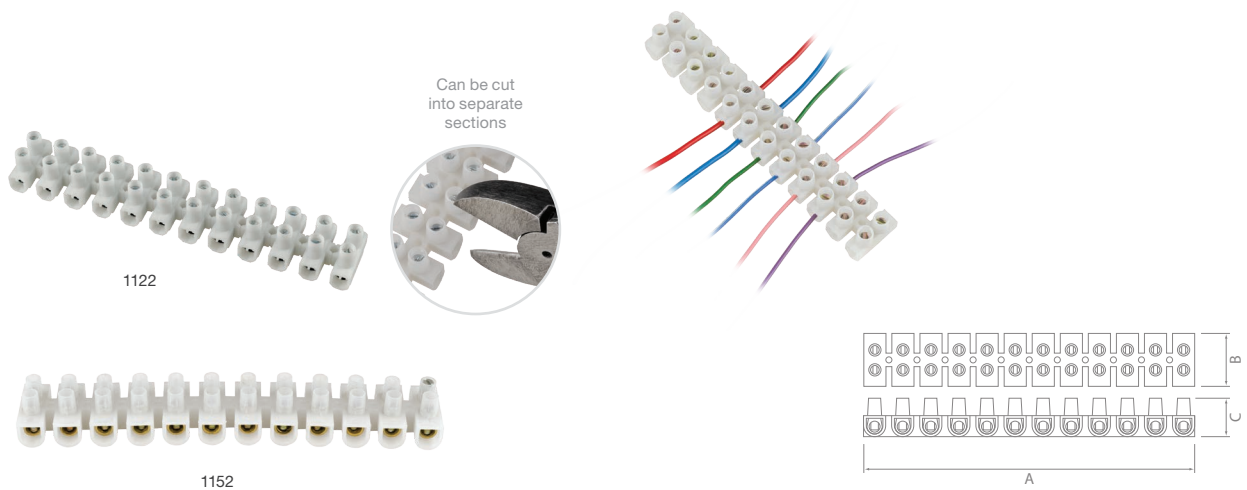
High Current



Double Row Terminal Blocks

Part No.	Circuits	Screw Ø (mm)	A (mm)	B (mm)
TB102	2	3.4	36	28
TB104	4	3.4	55	48
TB106	6	3.4	74	67
TB108	8	3.4	93	85
TB110	10	3.4	112	104

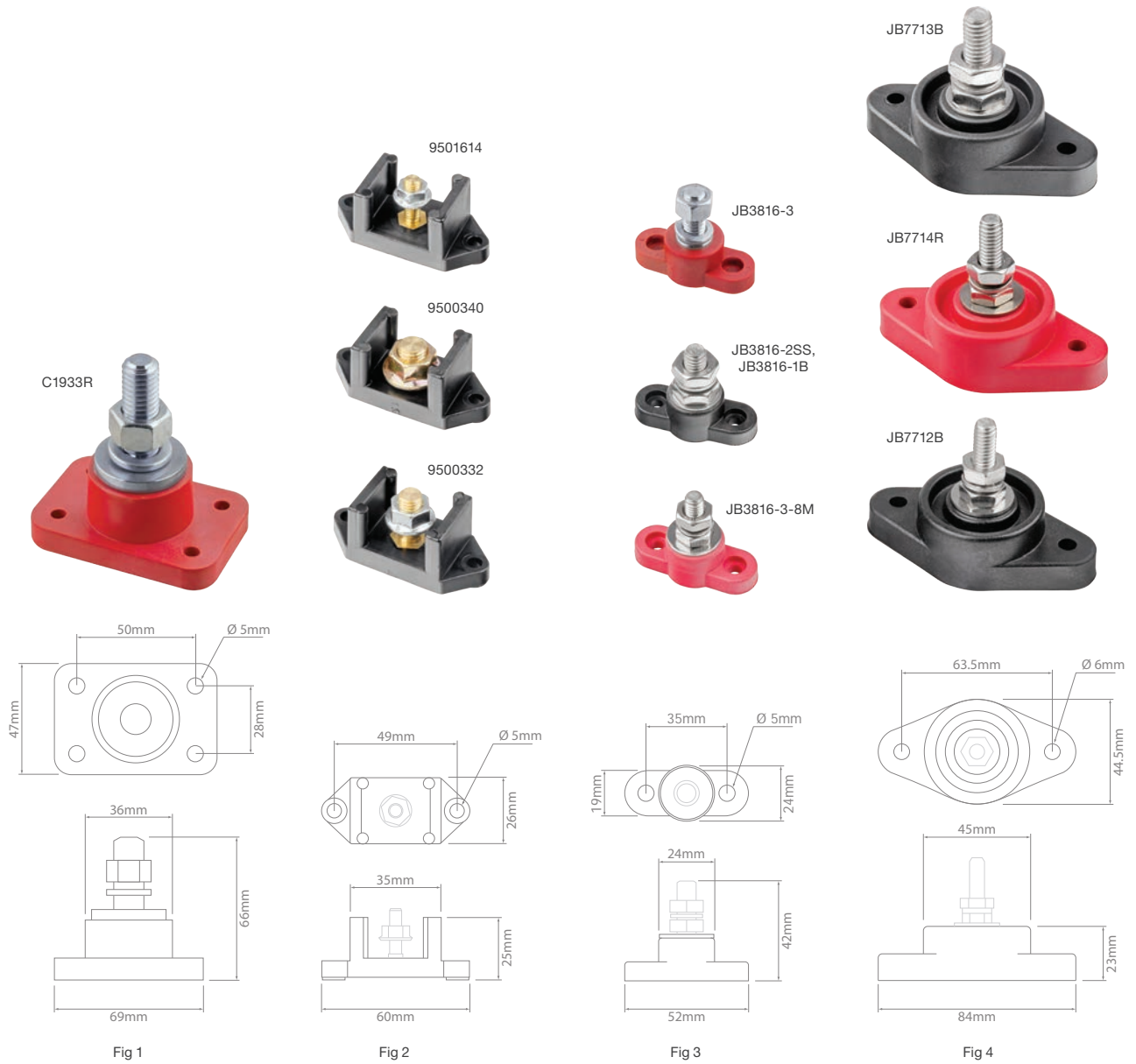
30A per terminal.



Flexible Junction Blocks

Part No.	Circuits	Current Rating (A)	Cable Size (mm ²)	Volts	Hole Size (mm)	A (mm)	B (mm)	C (mm)
1102	12	6	4	400	3.3	94	17	12
1122	12	15	8	400	4.5	140	23	19
1142	12	30	10	400	5.6	157	25	25
1152	12	60	16	400	6.6	200	32	24

Not Bussmann products.



Single Stud

Colour	Black	Hardware	Current Rating (A)	Stud (Inches)	Stud (mm)	Stud Height (mm)	Fig
Red	C1933R	Plated Brass	400	1/2" 13 UNC	—	38	1
—	9500340	Plated Brass	250	—	10–1.5	14	2
—	9500332	Plated Brass	200	—	8–1.25	19	2
—	9501614	Plated Brass	100	—	6–1	19	2
Red	JB3816-3	Plated Brass	250	3/8" 16 UNC	—	22	3
Red	JB3816-3SS	Stainless Steel	240	3/8" 16 UNC	—	22	3
Red	JB3816-3-8M	Stainless Steel	190	5/16" 18 UNC	—	22	3
Red	JB3816-1R	Stainless Steel	150	1/4" 20 UNC	—	22	3
Red	JB7713R	Stainless Steel	240	3/8" 16 UNC	—	54	4
Red	JB7714R	Stainless Steel	190	5/16" 18 UNC	—	30	4
Red	JB7712R	Stainless Steel	150	1/4" 20 UNC	—	52	4



High Current

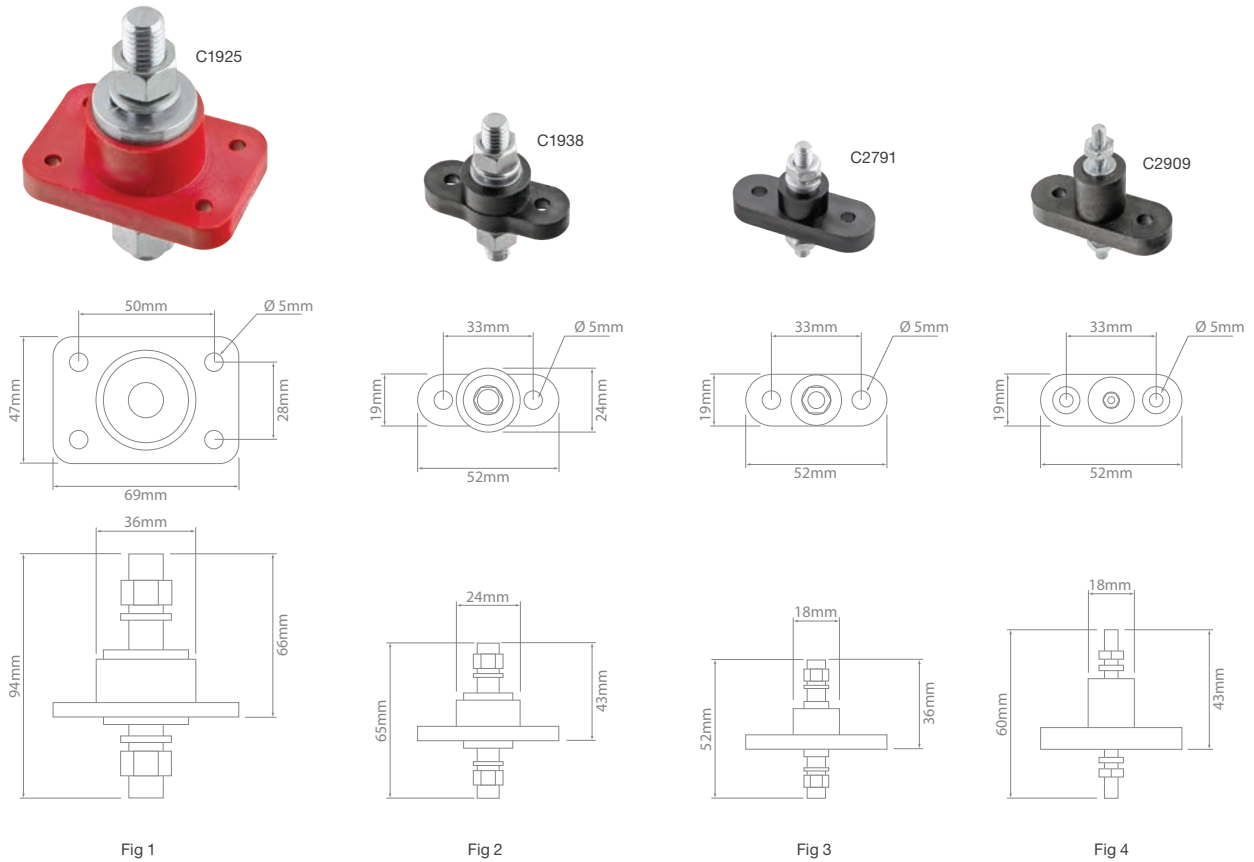


Fig 1

Fig 2

Fig 3

Fig 4

Single Stud – Feed Through – Copper Alloy

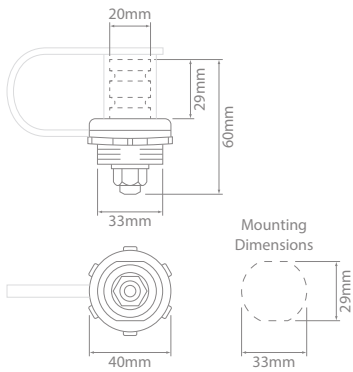
Colour	Current Rating (A)	Stud (Inches)	Fig	
Red	Black			
C1925	C1925B	400	1/2" 13 UNC	1
C1938R	C1938	250	3/8" 16 UNC	2
C1938-1R	C1938-1	200	5/16" 18 UNC	2
C2791R	C2791	100	1/4" 20 UNC	3
—	C2909	100	1/4" 20 UNC	4



Single Stud – Feed Through – Stainless Steel

Colour	Current Rating (A)	Stud (Inches)	Stud (mm)	
Red	Black			
JB7720R	JB7720B	250	—	8–1.25
JB7723R	JB7723B	350	3/8" 16 UNC	—
JB7722R	JB7722B	150	1/4" 20 UNC	—

High Current

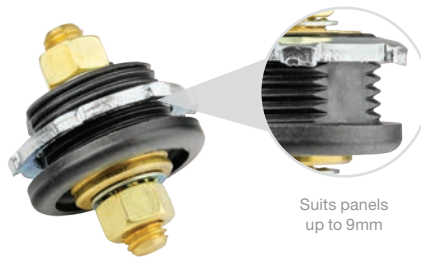
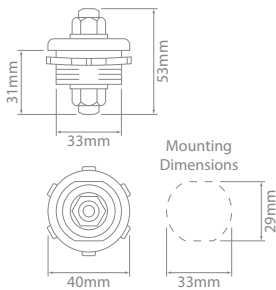


M46210-02

Suits panels up to 9mm



M46210-03



M46211-01

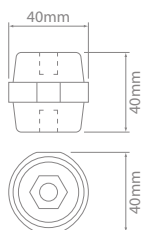
Suits panels up to 9mm



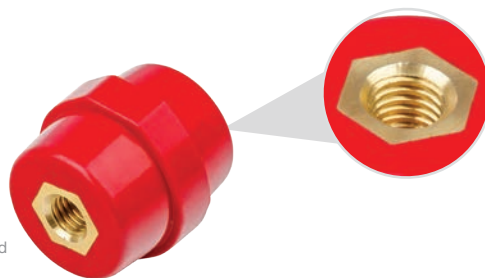
M46211-01R

Battery Jumper Terminals

Colour	Stud (Inches)	Max Panel Size (mm)
Red	3/8" 16 UNC	9
M46210-02	M46210-03	
M46211-01R <small>NEW</small>	M46211-01	



M10 thread



M10 thread

Insulated Standoff

Part No.	Insulator Voltage (Kv)	Screw Thread
JB40-M10	10	M10 thread



High Current

Terminal Busbars



- Create reliable, trouble-free bussing points.
- Hook up positive/negative return lines to a single cable.
- Up to 12 stainless steel connection points.
- Hard wearing glass-filled nylon base.
- 12 point busbars supplied with cover and insulator.
- 1/4", 3/8", and M8 stud options.



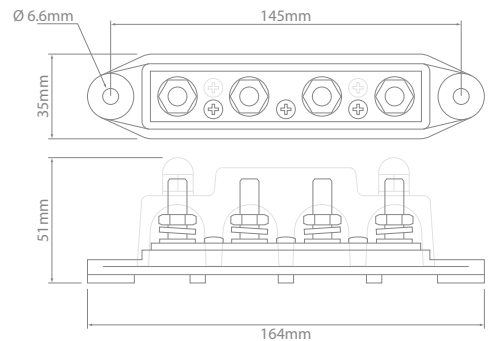
Studs :
Connection Points :
Base :

Stainless Steel
Stainless Steel
Glass-filled Nylon

4 x M8 studs &
3 x #8-32
connection points



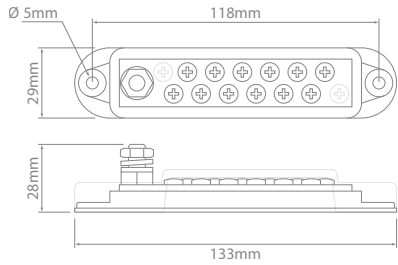
NEW



Terminal Busbars – 4 + 3 Point NEW

Colour	Current Rating (A)	Studs	Connection Points	Stud Height (mm)
Red	250	4 x M8	3 x #8-32	43
Black				
JB7704R				
JB7704B				

15A per #8-32 screw connection point (3 in total).



JB77012R

NEW

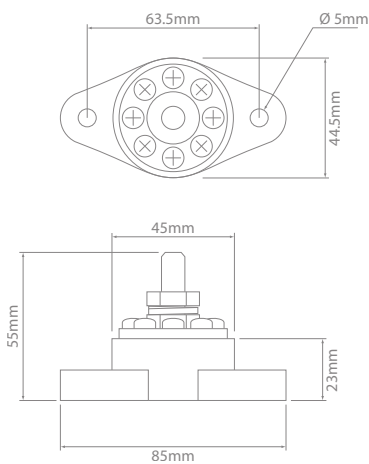


JB77012B

Terminal Busbars – 12 Point **NEW**

Colour	Current Rating (A)	Stud (Inches)	Connection Points	Stud Height (mm)
Red JB77012R	180	1 x 1/4"	12 x #8-32	28
Black JB77012B				

15A per #8-32 screw connection point (12 in total).
Supplied with terminal insulator.



JB77837R



JB77837B

Terminal Busbars – 8 Point

Colour	Current Rating (A)	Stud (Inches)	Connection Points	Stud Height (mm)
Red JB77837R	160	3/8" 16 UNC	8 x #8-32	55
Black JB77837B				

15A per #8-32 screw connection point (8 in total).

