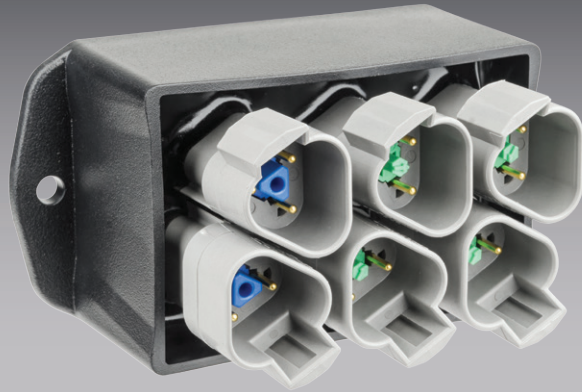


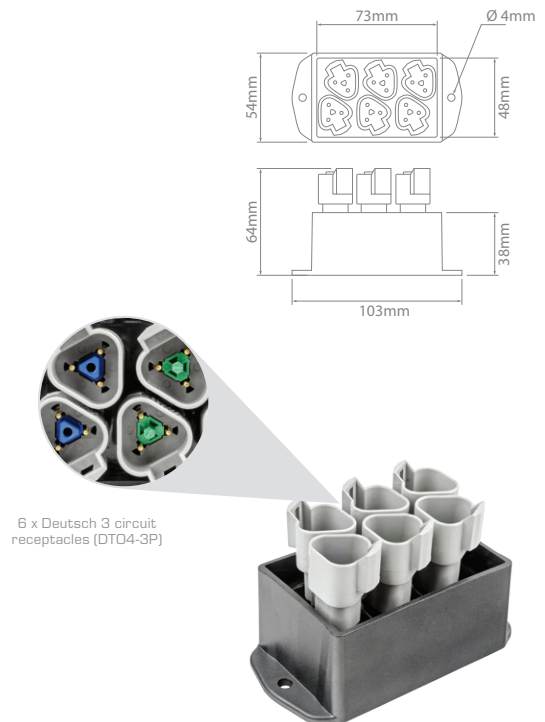
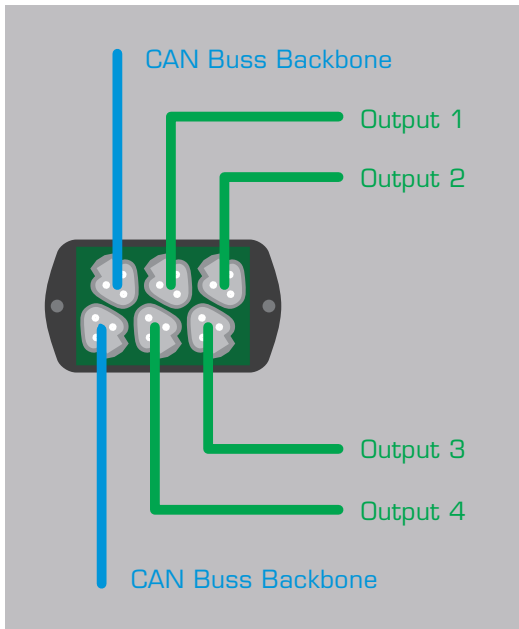
# Connectors

- Branch multiple lines from a J1939 CAN backbone.
- Compact efficient design.
- Deutsch DT Series connectors.
- Environmentally sealed.
- Epoxy filled ABS housing.
- Gold-plated contacts.



J1939 Buss Splitter

Housing : ABS  
 Weight : 250g  
 CAN : SAE J1939  
 Operating Temperature : -40°C to 85°C



## J1939 Buss Splitter

Part No.	Description
CONNKIT-6	6 x Deutsch 3 circuit receptacles (DT04-3P)

Mating Components
4 x DT06-3S + 4 x W3S, 2 x DT06-3S + 2 x W3S-1939

