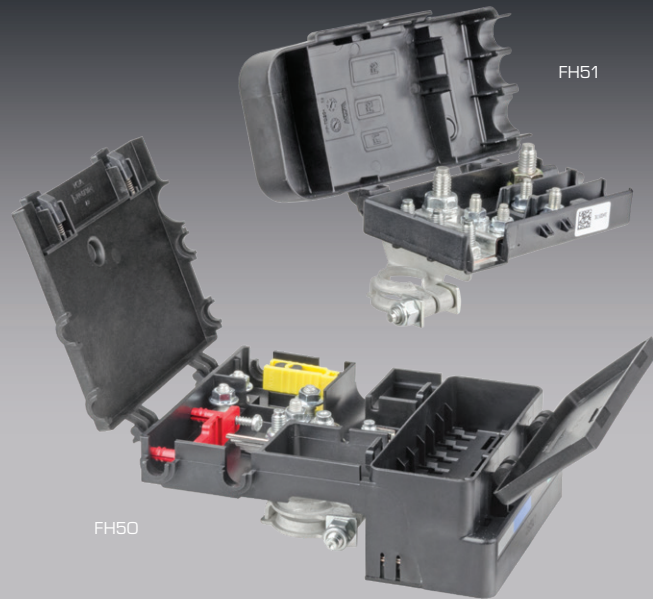
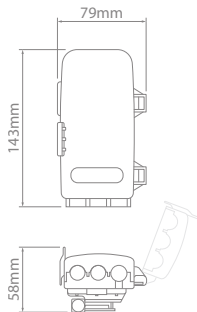


Circuit Protection

- Mounts directly to vehicle battery.
- Hinged covers for easy access to fuses.
- FH50 includes battery charging terminal.
- 4 colour-coded sockets for polarised power connectors to Maxi Blade fuses. FH50 only.
- Common feed powers all fuse positions.



Power Distribution Units



Power Distribution Unit

Part No.	Suits
FH51	2 x AMI Series Bolt-in Fuses 1 x AMG Series Bolt-in Fuse



AMI^{XX}



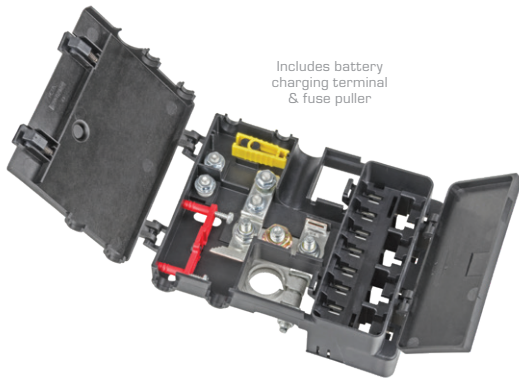
AMG^{XXX}

FH51 Accessories

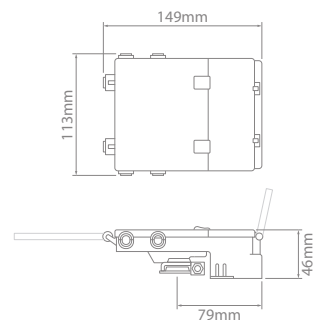
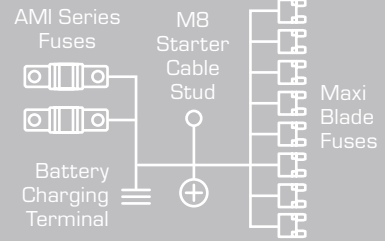
Part No.	Description
AMI^{XX}	Replace 'XX' with desired Amperage – 30A, 40A, 50A, 60A, 70A, 80A, 100A, 125A, 150A, 175A, 200A
AMG^{XXX}	Replace 'XXX' with desired Amperage – 040A, 060A, 080A, 100A, 125A, 150A, 175A, 200A, 225A, 250A, 300A, 400A, 500A



Connectors



Circuit Diagram

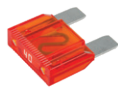


Power Distribution Unit Kit

Part No.	Suits	Kit Contains:
FH50	2 x AMI Series Bolt-in Fuses 8 x Maxi Blade Fuses	1 x Battery Link (MT001) 8 x Receptacle (MT401) 4 x Receptacle (MT402) 4 x Receptacle (MT403) 1 x Connector Blue (MT201) 1 x Connector Grey (MT202) 1 x Connector Green (MT203) 1 x Connector Brown (MT204)



AMIXX



MBXX



MT201



MT202



MT204



MT203



MT701



MT401, MT402, MT403

FH50 Accessories

Part No.	Description
AMIXX	Replace 'XX' with desired Amperage – 30A, 40A, 50A, 60A, 70A, 80A, 100A, 125A, 150A, 175A, 200A
MBXX	Replace 'XX' with desired Amperage – 20A, 30A, 40A, 50A, 60A, 70A, 80A, 100A
MT201/10	Connector Blue . Inc. Secondary Lock
MT202/10	Connector Grey . Inc. Secondary Lock
MT203/10	Connector Green . Inc. Secondary Lock
MT204/10	Connector Brown . Inc. Secondary Lock
MT701/10	Secondary Lock
MT401/20	Receptacle – 8mm. 1.5–2.5mm ²
MT402/20	Receptacle – 8mm. 4–6mm ²
MT403/20	Receptacle – 8mm. 8–10mm ²

