

High Current

- Create reliable, trouble-free circuit paths to control systems.
- Hook up positive/negative return lines to a single cable.
- Eight stainless steel #8-32 connection screws.
- Hard wearing glass-filled nylon.
- Blue Dot enhanced conductivity componentry.

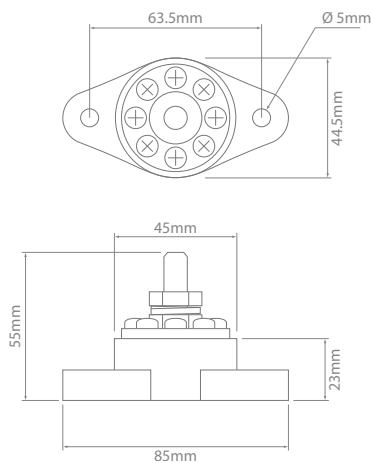


Junction Block – 8 Point

Post : Stainless Steel
Base : Glass-Filled Nylon

Blue Dot – Enhanced Performance Blue Dot

The 8 Point Junction Blocks feature brass or plated brass material and are marked with a blue mark. These components pass current more efficiently than steel. Ensure blue dot components are kept in their correct conductive location (factory location). Failure to do so can result in degraded performance and premature device failure.



Junction Block – 8 Point

Colour	Current Rating (A)	Stud ϕ Inches	Stud Height (mm)	
Red JB77837R	Black JB77837B	160	3/8	55

