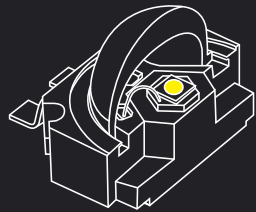




## LED Technology

Unrivalled life spans of up to 100,000 hours together with low power consumption and resistance to high levels of shock and vibration make LEDs the ideal light source for worklamps. Their compact size allows them to be used in a wide range of applications.





## LED Workshop Lighting

Multipurpose Lamp

98

Floor Lamp

99

Under Bonnet Lamp

100

# LED Workshop Lighting

Multipurpose Lamp

**NEW**



- High/low worklight and torch functions controlled by single switch.
- Dual rechargeable Lithium-ion batteries.
- LED battery level Indicator.
- Unique ball joint enables 360° swivel and tilt.
- Swivel hooks and magnets allow hands-free operation.
- Tough grip rubber casing.
- Includes 12V USB charger.



	Torch	Worklight
<b>Lumen Output :</b>	150lm	600lm
<b>Operating Time :</b>	14hrs	6-12hrs
<b>Charging Time :</b>		6 hrs
<b>Battery :</b>	2 x Lithium-ion 3.7V – 2.6Ah	
<b>Housing :</b>	ABS	
<b>Weight :</b>	0.5kg	
<b>Approvals :</b>	CE	
<b>Ingress Protection :</b>	IP54	
<b>Light Source :</b>	Single 5W LED	16 x SMD LEDs



5W torch function



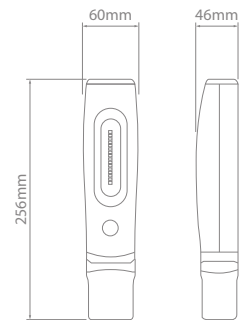
Magnetic base with ball joint enables flexible mounting & hand-free operation.



Magnets and retractable swivel hooks



Battery level indicator



## Multipurpose Lamp

Part No.  
**ED-SL137RU**

# LED Workshop Lighting

- 10W COB LED.
- Soft touch foam-rubber handle.
- Magnetic feet for handy pendant mounting in under bonnet application.
- Aluminium housing with tubular steel framed stand.
- 360° swivel & 180° vertical tilt adjustable.
- Rechargeable Lithium-ion battery.
- Includes 12V and 240V chargers.
- On/off rocker switch.
- Weatherproof for outdoor use.

**NEW**



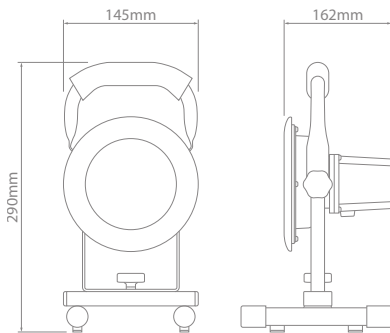
Floor Lamp

Lumen Output :	600lm
Charging Time :	5hrs
Operating Time :	2.5hrs
Battery :	Lithium-ion 7.4V – 2.2Ah
Base :	Powder Coated Steel
Housing :	Aluminium
Weight :	0.9kg
Ingress Protection :	IP54
Light Source :	Single 10W COB LED

IP54



Magnetic feet for handy pendant mounting in under bonnet application



## Floor Lamp

Part No.

ED-SL167RI



# LED Workshop Lighting

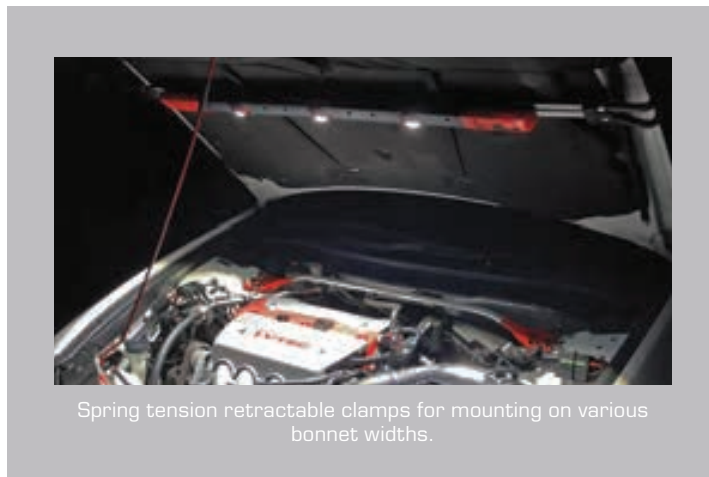
Under Bonnet Lamp

**NEW**

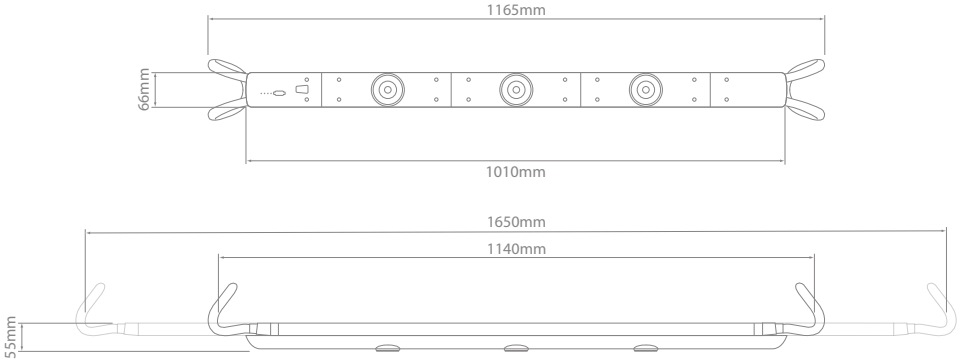


- High output – 1000lm
- Spring tension retractable clamps for mounting to various bonnet widths.
- Individual LED on/off control.
- Rechargeable Lithium-ion batteries.
- 40° adjustable light heads.
- LED battery level Indicator.
- Soft touch foam-rubber handles.
- Includes 240V USB charger.

<b>Lumen Output :</b>	1000lm
<b>Operating Time :</b>	Up to 14hrs
<b>Charging Time :</b>	8hrs
<b>Battery :</b>	4 x Lithium-ion 3.7V – 2.6Ah
<b>Base :</b>	Aluminium
<b>Housing :</b>	ABS
<b>Weight :</b>	2.1kg
<b>Bonnet Width :</b>	114 – 165cm
<b>Light Source :</b>	3 x 5W COB LEDs



# LED Workshop Lighting



## Under Bonnet Lamp

Part No.

**ED-SL176RI**

Bonnet Width

114cm to 165cm

