

Specialty Warning System

- Real speaking message – "Ssh, ssh, caution, truck turning left".
- SS-BCL01-KIT equipped with LED signal light for additional visual warning.
- Multi-voltage.
- Environmentally sealed – IP67.
- 2 year warranty.



SS-BCL01



SS-BC-08

Speaking Turn Alarms

Voltage :	12-24V
Volume :	90dB(A)
Speaker Body :	AES
Lens :	Polycarbonate
Bracket :	Powder Coated Aluminium
EMC :	ECE R10
Approvals : Speaker	CE & 'e' marked
Ingress Protection :	IP67

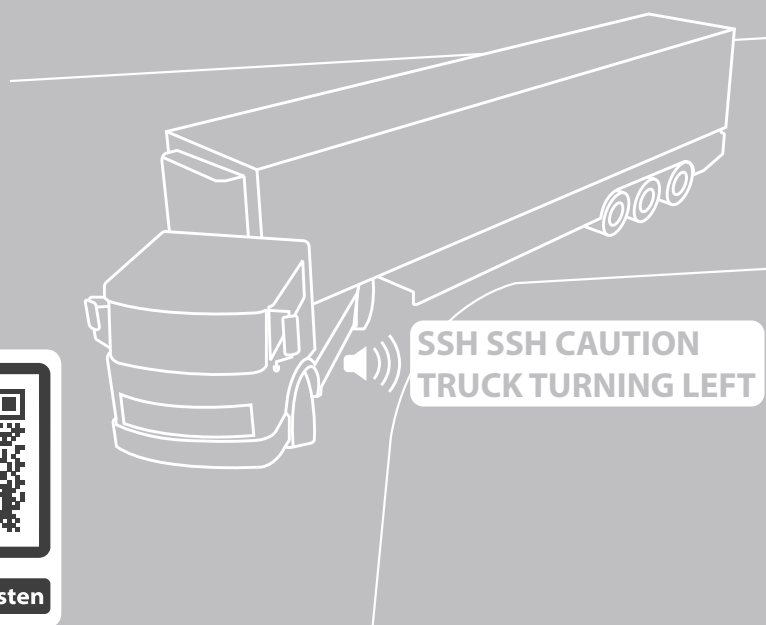


Turn Signal Alarms

Larger vehicles by their very nature have blind spots that make it extremely difficult for a driver to see smaller vehicles such as motorbikes, cyclists and even pedestrians - a major and increasing source of injury and fatalities are trucks turning left.

Speaking Turn Alarms are designed to provide a cost-effective solution for the left turn blind spot hazard. The alarm operates when the vehicle's left side indicator is activated playing a speaking message, making cyclists and pedestrians aware they are potentially in the danger zone of the left turning vehicle beside them.

The SS-BCL01-KIT includes a high intensity LED light to increase safety and awareness even in scenarios where cyclists, pedestrians or site workers are using headphones or hearing protectors.



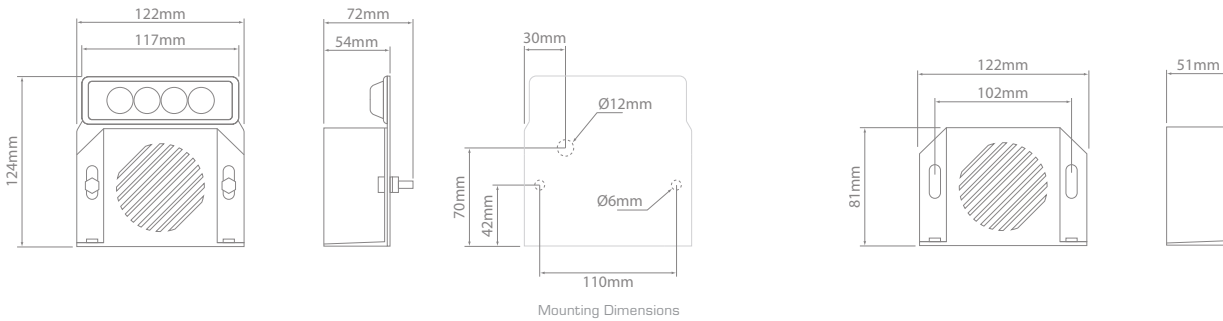
Specialty Warning System



SS-BCL01-KIT



SS-BC-08-KIT



Speaking Turn Alarms – Kits

Part No.	Description	LED	Cable Length (mm)
SS-BCL01-KIT	Speaker Unit & Turn Signal Module with LED Signal Light	Amber	300
SS-BC08-KIT	Speaker Unit & Turn Signal Module	—	450

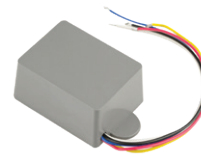
Supplied with mounting hardware.



SS-BCL01



SS-BC-08



TS001-ECU

Speaking Turn Alarms – Components

Part No.	Description
SS-BCL01	Speaker Unit with LED Signal Light
SS-BC-08	Speaker Unit
TS001-ECU	Turn Signal Module, required when connecting alarm directly to vehicle indicator circuit