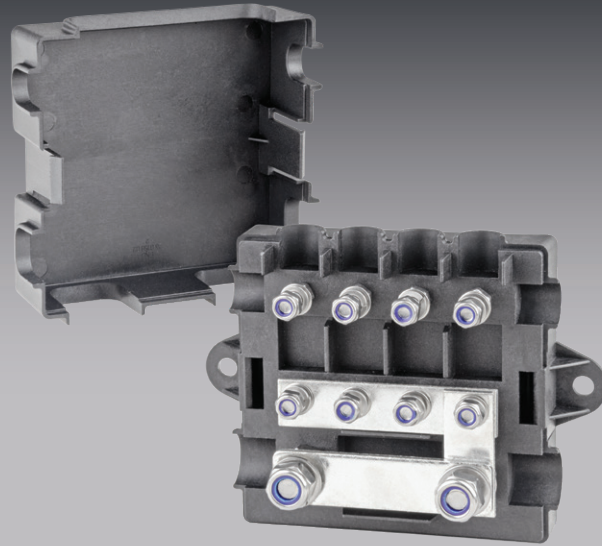


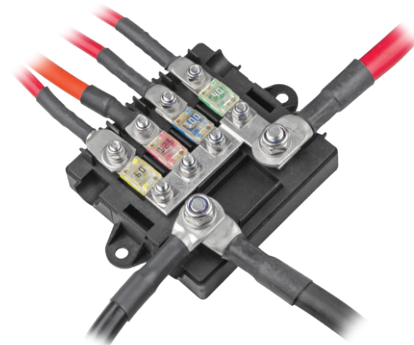
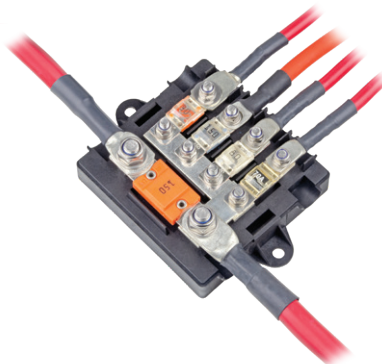
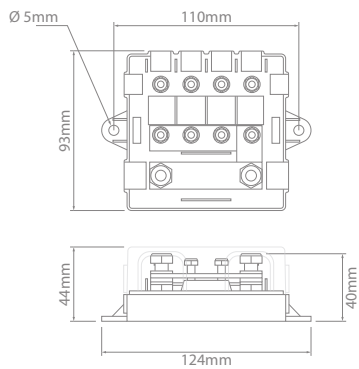
# Circuit Protection

- Houses:
  - 1 x AMG Series bolt-in fuse,
  - 4 x AMI Series bolt-in fuses.
- Removable protective cover.
- Common feed powers all fuse positions.
- Stainless steel hardware.
- Removable bus bars.



Power Distribution Unit

Material : Thermoplastic  
 Studs, Nuts, Washers : Stainless Steel  
 Bus Bars : Tin Plated Copper  
 Operating Temperature : -40°C to 85°C



## Power Distribution Unit – RD Series

Part No.                      Seats  
**RD-159**                    1 x AMG & 4 x AMI Series Bolt-in Fuses

