

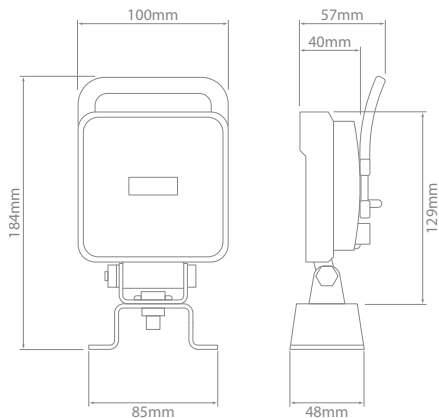
IONNIC LED Worklamp

- Cost effective, high quality worklamp.
- Compact design.
- Swivel bracket for easy on-site adjustment.
- Removable, anti-slip rubber wrapped handle.
- Integrated toggle switch with sealing boot.
- Multi-voltage.
- Even light pattern without hotspots.
- Impact resistant lens.
- Environmentally sealed – IP67, IP69K.
- 3 year warranty.

Theoretical Lumen Output :	950lm
Operating Lumen Output :	600lm
Operational Voltage :	9–32V
Input Current :	0.6A @ 13.8V
Max Power Consumption :	9W
LED Life Time :	30,000 Hrs
Connector :	AMP 2 Pin on Fly Lead
Mount :	4 x M6
Lens :	PC
Body :	Aluminium
Bracket :	Stainless Steel
Weight :	0.95kg
Approvals :	CE, ECE R10
Ingress Protection :	IP67, IP69K
Operating Temperature :	-20°C to 50°C
Colour Temperature :	6000K
Light Source :	5 x Osram 3 Watt LEDs



8095 LED



Toggle switch with sealing boot



8095 LED – Flood

Part No.	Operational Voltage
98-8095	9–32

Supplied with matching AMP connector on fly lead.

