

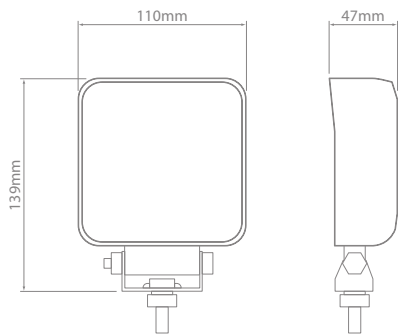
IONNIC LED Worklamp

- Heavy duty die-cast aluminium body.
- Compact design.
- Multi-voltage.
- Low current draw.
- Even light pattern without hotspots.
- Impact resistant lens.
- Environmentally sealed – IP67, IP69K.
- 3 year warranty.



8100 LED

Theoretical Lumen Output :	3040lm
Operating Lumen Output :	2200lm
Operational Voltage :	12–32V
Input Current :	1.9A @ 13.8V
Max Power Consumption :	25W
LED Life Time :	30,000 Hrs
Connector :	Deutsch DT Series 2 Pin on Fly Lead
Cable Length :	900mm
Mount :	Single M10
Lens :	PC
Body :	Die-cast Aluminium
Bracket :	Stainless Steel
Weight :	0.8kg
Approvals :	CE, ECE R10
Ingress Protection :	IP67, IP69K
Operating Temperature :	-20°C to 50°C
Colour Temperature :	6000K
Light Source :	16 x Osram 3 Watt LEDs



Deutsch DT 2 Pin Connector



8100 LED – Flood

Part No.	Operational Voltage
98-8100	12–32

