

Switches - Emergency Stop

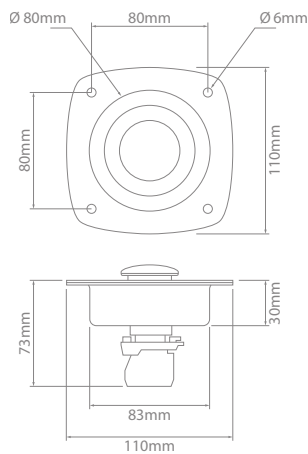
- Recessed surface mount kit.
- Protects and helps prevent accidental switch activation.
- Supplied with latching Telemecanique emergency stop switch.
- N/O & N/C Telemecanique contact block.
- Available in kit and component form.
- Coated carbon steel.
- Multi-voltage.



Recessed E-Stop Kit

Voltage : 6-36V
Contacts : Silver Alloy
Button : Polymer
Enclosure : Coated Carbon Steel
Operating Temperature : -25°C to 70°C

6V
36V



Recessed E-Stop Kit

Part No.	Voltage	Kit Contains:
TMS40	6-36V	1 x Latching E-Stop Switch (TMS12) 1 x N/O & N/C Contact Block (TMS10) 1 x Round Legend "EMERGENCY STOP" 1 x Rubber Gasket 1 x Recessed Enclosure

