

Enclosures

- Lightweight & compact.
- UV and ozone resistant.
- Flame retardant and halogen free.
- Robust polypropylene construction.
- Cable entries with self sealing membranes.
- Moulded mounting points.
- Wide range of sizes.
- Available in grey or black.
- KB series feature threaded cable entries for cable gland applications.
- Environmentally sealed.



SBZ003B

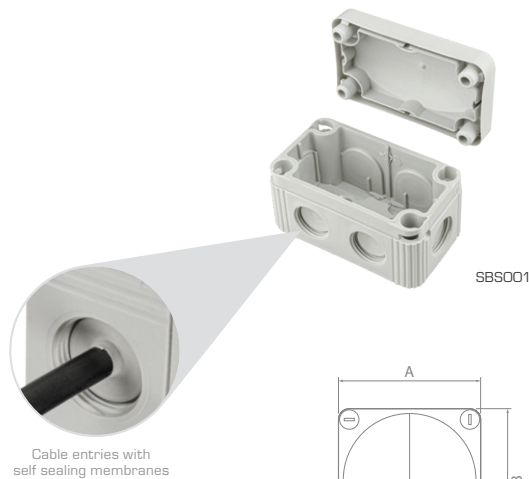


SBS003

K Series



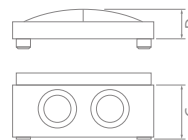
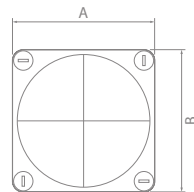
Body : Polypropylene
Sealing : TPE
Ingress Protection : KB IP66, KA IP55
Operating Temperature : KB -30°C to 100°C, KA -30°C to 60°C



SBS001



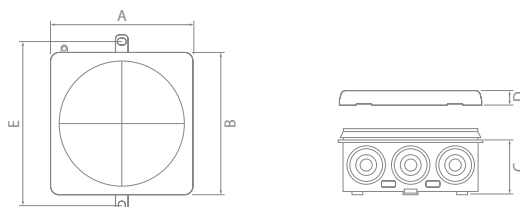
SBS003



KB Series

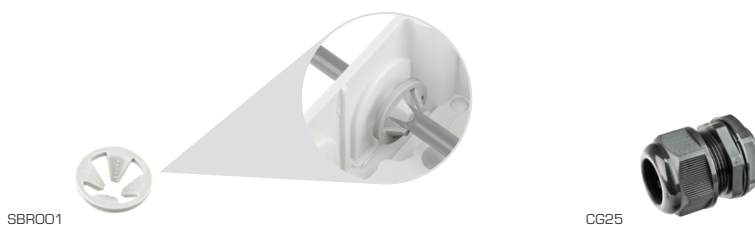
Part No.	Colour	No. of Cable Entries	Cable Entries Thread Size	A (mm)	B (mm)	C (mm)	D (mm)
SBS001	Grey	6	M20	85	49	32	19
SBS001B	Black						
SBS002	Grey	8	M20	85	85	32	19
SBS002B	Black						
SBS003	Grey	7	M20	95	95	41	19
SBS003B	Black						
SBS004	Grey	7	M25	110	110	47	19
SBS004B	Black						
SBS005	Grey	10	5 x M20 + 5 x M25	160	140	62	19
SBS005B	Black						





KA Series

Part No.	Colour	No. of Cable Entries	A (mm)	B (mm)	C (mm)	D (mm)	E (mm)
SBZ001	Grey	10	86	44	33	8	94
SBZ001B	Black						
SBZ002	Grey	12	86	86	33	8	94
SBZ002B	Black						
SBZ003	Grey	14	125	86	33	8	133
SBZ003B	Black						



Accessories

Part No.	Description	Suit
SBR001	Cable Retainer Ring, pack of 10	KA, KB
CG20	Cable Gland, M20 thread size	KB
CG25	Cable Gland, M25 thread size	KB