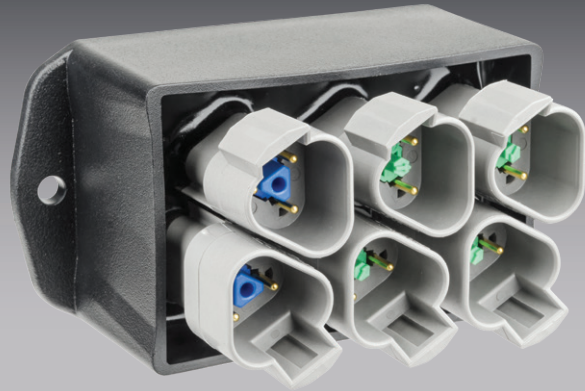


# Connectors

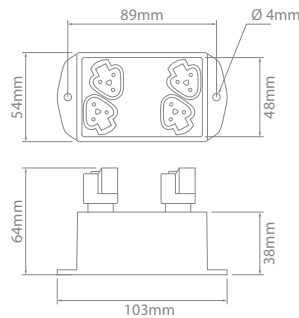
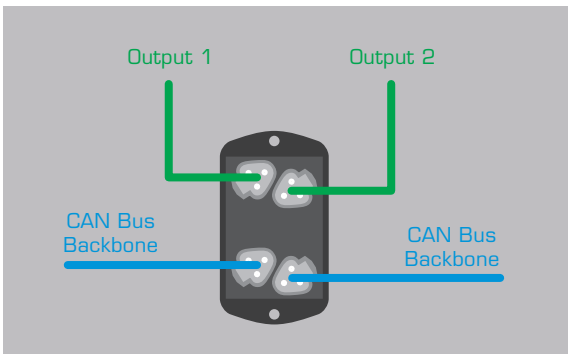
- Designed and manufactured by IONNIC, using genuine TE DEUTSCH components.
- Branch multiple lines from a J1939 CAN backbone.
- Compact, efficient design.
- TE DEUTSCH DT Series connectors.
- Environmentally sealed.
- Epoxy filled ABS housing.
- Gold-plated contacts.
- Available in kits with mating connectors plus 120 Ohm resistor plug.
- 2 or 4 branch models.
- Made in Australia.



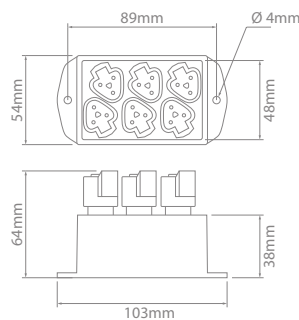
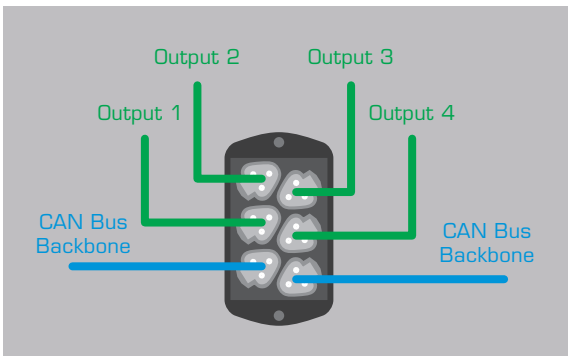
CONNKIT-6

J1939 Bus Splitters

Housing : ABS  
CAN : SAE J1939  
Operating Temperature : -40°C to 85°C



CONNKIT-4



CONNKIT-6

## J1939 Bus Splitter

Part No.	Description
<b>CONNKIT-4</b> <span style="color:red">NEW</span>	Provides 2 branches from backbone
<b>CONNKIT-6</b>	Provides 4 branches from backbone

Mating Components
4 x DT06-3S, 2 x W3S-PO12, 2 x W3S-1939-PO12
6 x DT06-3S, 4 x W3S-PO12, 2 x W3S-1939-PO12





### J1939 Bus Splitter Kit – 2 Branch NEW

Part No.	Description
<b>CONNKIT-4JUNCTION</b>	CAN bus 2 branch hub with mating connectors + 120 Ohm resistor plug

**Kit Contents:**

- 1 x CAN Bus 2 Branch Hub (CONNKIT-4)
- 4 x TE DEUTSCH 3 Circuit Receptacles (DT04-3P)
- 2 x TE DEUTSCH Wedgelock Green (W3S-PO12)
- 2 x TE DEUTSCH Wedgelock Blue (W3S-1939-PO12)
- 12 x TE DEUTSCH Contact Gold-Plated (O462-201-1631)
- 1 x TE DEUTSCH 120 Ohm Resistor Plug (DT06-3S-PO06)



### J1939 Bus Splitter Kit – 4 Branch NEW

Part No.	Description
<b>CONNKIT-6JUNCTION</b>	CAN bus 4 branch hub with mating connectors + 120 Ohm resistor plug

**Kit Contents:**

- 1 x CAN Bus 4 Branch Hub (CONNKIT-6)
- 6 x TE DEUTSCH 3 Circuit Receptacles (DT04-3P)
- 4 x TE DEUTSCH Wedgelock Green (W3S-PO12)
- 2 x TE DEUTSCH Wedgelock Blue (W3S-1939-PO12)
- 18 x TE DEUTSCH Contact Gold-Plated (O462-201-1631)
- 1 x TE DEUTSCH 120 Ohm Resistor Plug (DT06-3S-PO06)