

Alarms

- Dual message speaking alarms.
- Models available with “vehicle is turning left/right” and “body being raised/lowered” messages.
- SS-BCL02 equipped with LED signal light for additional visual warning.
- Alarm muted when both inputs triggered – no additional module required.
- Multi-voltage.
- Environmentally sealed – IP68.
- Epoxy filled internal.
- Corrosion, shock and vibration resistant.
- Reverse polarity protected.



ISA-020



SS-BCL02

Speaking Alarms



Voltage : 10–30V
 Volume : 95dB(A)
 Body : Glass Filled Nylon
 Ingress Protection : IP68
 Approvals : CE, RoHS, ECR R10

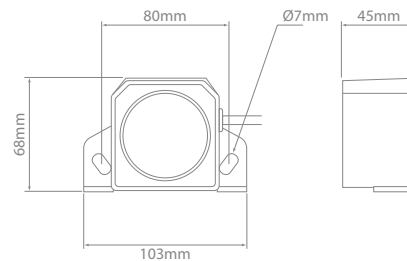
Dual Message

The ISA range of speaking alarms all feature two independent messages:

- ISA-010 – 1. Vehicle is turning left
 2. Vehicle is turning right



- ISA-020 – 1. Body being raised
 2. Body being lowered



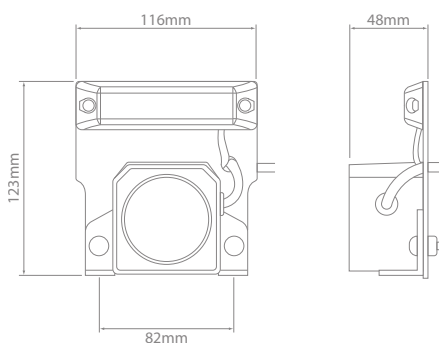
Speaking Alarms – Dual Message

Part No.	Message 1	Message 2	Cable Length (mm)
ISA-010	Caution, this vehicle is turning left	Caution, this vehicle is turning right	200
ISA-020	Caution, body being raised, stand clear	Caution, body being lowered, stand clear	





**BEEP BEEP
CAUTION.....**



Speaking Alarms – Dual Message with LED Signal Light

Part No.	Message 1	Message 2	LED	Cable Length (mm)
SS-BCL02	Caution, this vehicle is turning left	Caution, this vehicle is turning right	Amber	150

