

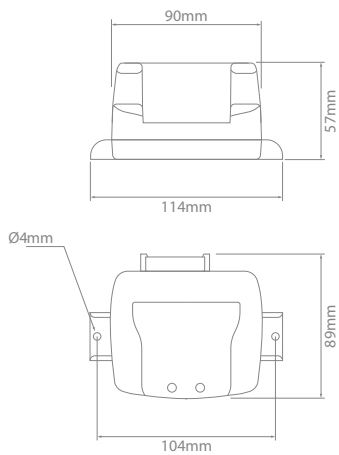
# Switching Systems

- Three-minute engine idle timer.
- Positive and negative shut-down output.
- Integrated hand brake alarm function.
- Hand brake input self-learn function.
- Multi-voltage.
- LED indicators for visual warning.
- Supplied with TE DEUTSCH connector kit.



IONNIC Idle Timer SE

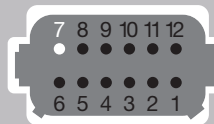
Voltage : 12-24V  
 Enclosure : Polycarbonate  
 Ignition Output : 8A  
 Auxiliary Output : 1A  
 Approvals : C-Tick  
 Operating Temperature : -40°C to 85°C



Genuine TE DEUTSCH connector encapsulated in body

## Integrated Hand Brake Alarm Function

The IONNIC Idle Timer SE has an integrated handbrake alarm function. If the ignition is turned off and the handbrake is not engaged, power will be output to pin 7, allowing the user to activate an alarm, buzzer, or light.



## IONNIC Idle Timer SE

Part No.	Description
IT2001	Idle timer controller unit with connector kit

Kit contains:  
 1 x Idle Timer Controller Unit  
 1 x TE DEUTSCH DT Series 12 Pin Connector  
 1 x Wedgelock  
 6 x Cavity Plug  
 10 x Size 16 Green Band Contact

