

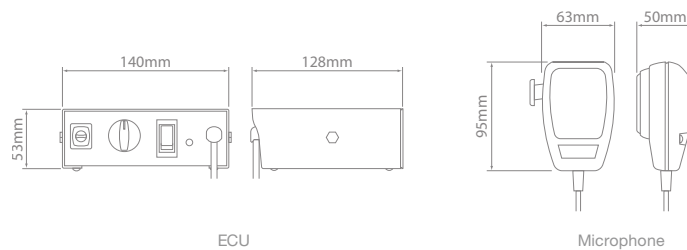
Sirens

Siren Amplifier & PA

- 6 classic tones.
- Rotary mode switch with LED backlight.
- Momentary horn/manual toggle switch.
- PA function with handheld microphone.
- Adjustable PA volume.
- Compact design.
- Class D amplifier for low amp draw with clean tone performance.
- Multi-voltage.
- Reverse polarity protected.
- 0.2A warning light output.



Voltage : 12-24V
 Current Rating : 8.5A @ 12V
 Siren Output : 100W
 Siren Frequency : 759 – 1592Hz
 Weight : 1.1kg
 Approvals : ECR R10, CISPER 25
 Operating Temperature : -30°C to 65°C



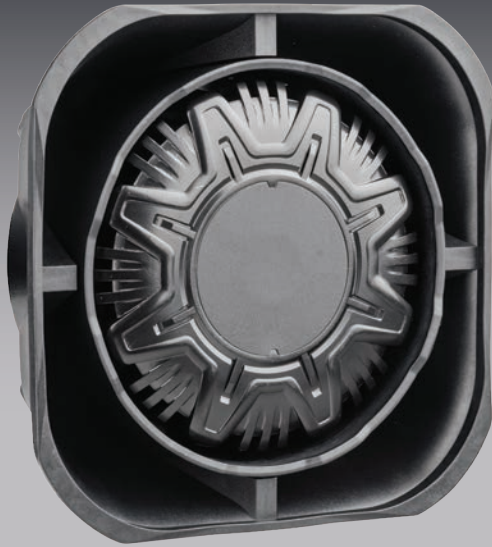
Siren Amplifier & PA – 100 Watt – Multi-voltage

Part No.	Voltage	Features	Tones
SA5101S	12-24	<ul style="list-style-type: none"> • Public Address • Light Control Output (0.2A) 	<ul style="list-style-type: none"> • Wail • Yelp • Hi/Lo • Manual • Phaser • Air Horn

Supplied with ECU, microphone and mounting brackets



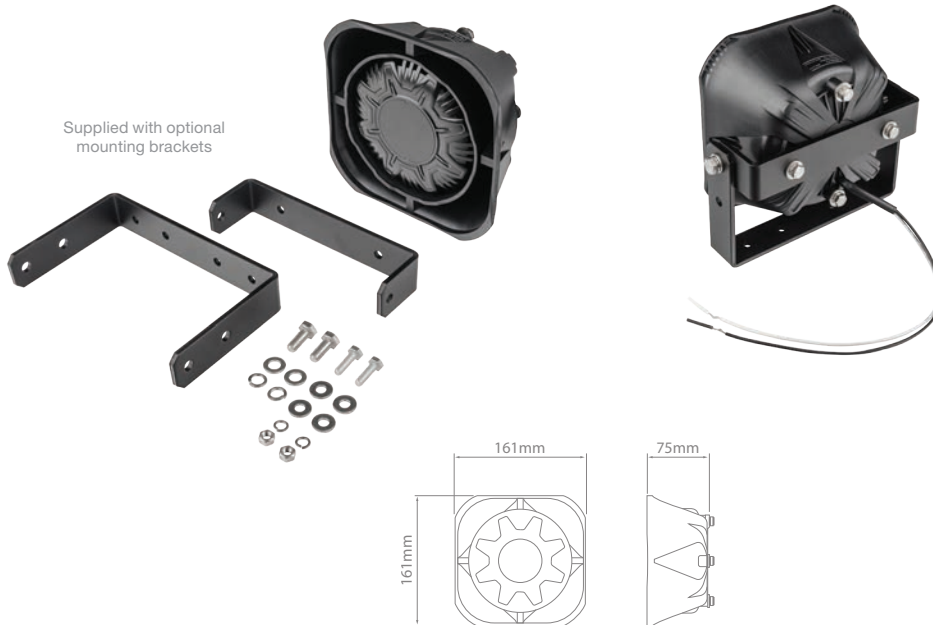
Siren Speaker



IP54K

- Compact design.
- Fibre reinforced nylon housing.
- Cast aluminium driver unit.
- High sound pressure output exceeds SAE requirement.
- Rugged construction withstands harsh environmental conditions.
- Multiple mounting options.
- Environmentally sealed – IP54K.

Speaker Housing :	Fibre Reinforced Nylon
Driver Unit :	Cast Aluminium
Driver Type :	Neodymium Magnet
Power Consumption :	100W
Sound Output :	121.83 dBA @ 3m
Connector :	350mm Fly Lead
Weight :	2.0kg
Ingress Protection :	IP54K
Approvals :	SAE J1849
Operating Temperature :	-40°C to 75°C



Supplied with optional mounting brackets

Siren Speaker

Part No.	Watts	Impedance (Ohm)
TC1003H	100	11