

## Emergency Stop

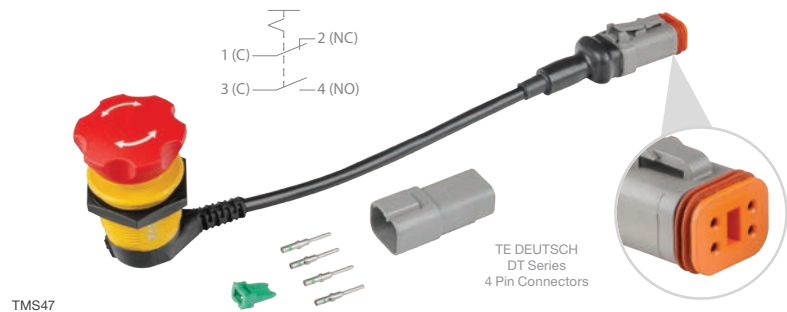
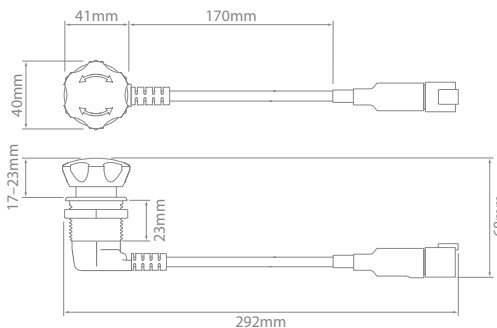
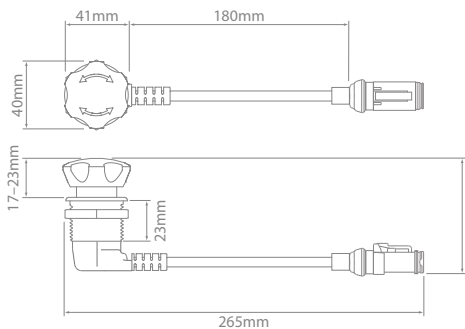
- Plug & play emergency stop switch.
- Multi-voltage.
- TE DEUTSCH connector on fly lead.
- Incorporated strain relief on both ends of lead.
- Resistant to shock, vibration, dust and moisture.
- Environmentally sealed – IP67, IP6K9K, when installed to manufacturer's specifications.
- Optional recessed mounting panels with E-Stop legend.

Voltage :	9–32V
Max Current Rating :	10A Continuous
Terminals :	Copper Zinc Alloy
Contacts :	Silver Alloy
Switch :	Polyamide
Connector :	Thermoplastic
Thread Size :	M30 x 1.5
Shock :	50G
Vibration :	ISO 16750-3
Ingress Protection :	IP67, IP6K9K
Operating Temperature :	-40°C to 85°C



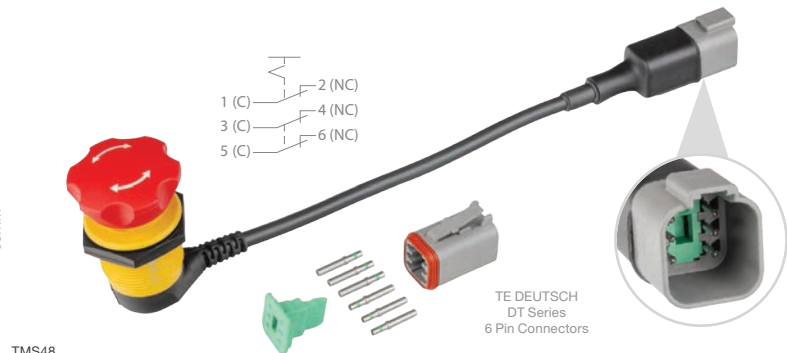
KISSLING – 90°

9V  
32V IP67 IP6K9K



TMS47

TE DEUTSCH  
DT Series  
4 Pin Connectors



TMS48

TE DEUTSCH  
DT Series  
6 Pin Connectors

### KISSLING – 90°

Part No.	Description	Button Type
TMS47	Single Pole. 1 x N/O, 1 x N/C	Latching (Turn to Release)
TMS48	Double Pole. 3 x N/C	Latching (Turn to Release)

Kit Contains:  
 1 x KISSLING E-Stop with integrated TE DEUTSCH connector  
 1 x Mating Connector components, including Housing, Wedgelock & size 16 Green Band Contacts to suit.



## Emergency Stop



TMS54



TMS56



TMS55

### KISSLING – Accessories

Part No.	Description
<b>TMS54</b>	Recessed panel mounting bracket – Nylon
<b>TMS56</b>	Recessed panel mounting bracket – Steel, rubber gasket and round legend
<b>TMS55</b>	Round legend – “EMERGENCY STOP” – Yellow