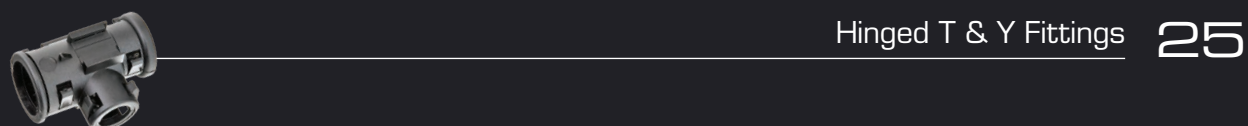
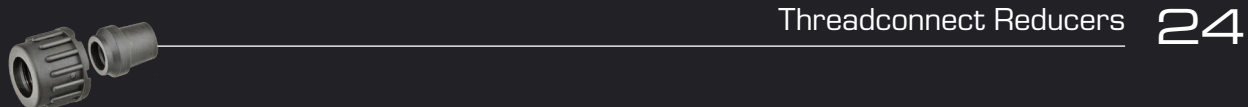
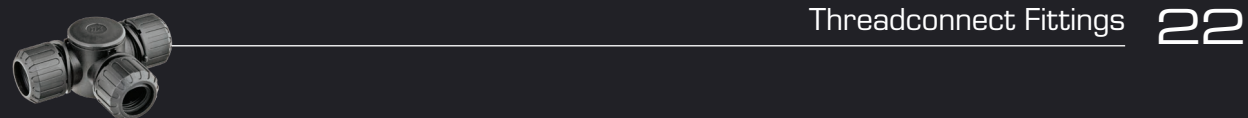
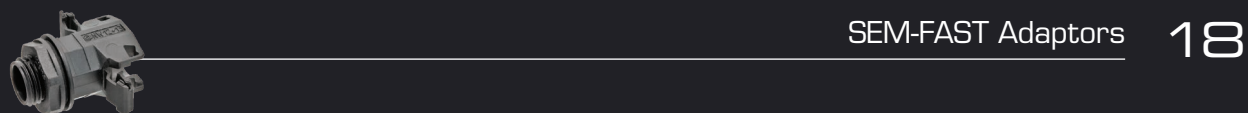
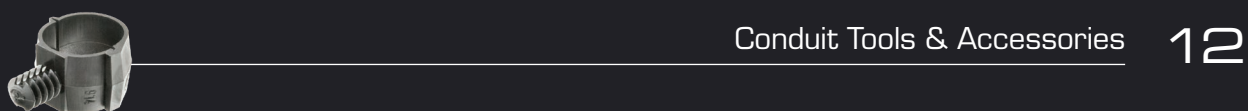
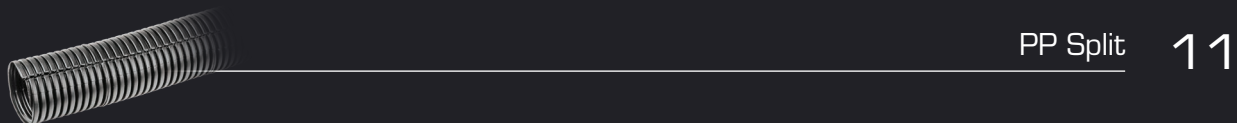
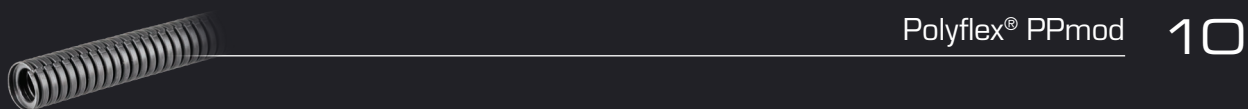

Conduit & Conduit Fittings



Conduit & Conduit Fittings



Conduit & Conduit Fittings

NW Size Cross Reference

Due to varying sizing methods and manufacturer interpretations there are different sizing formats used for conduit.

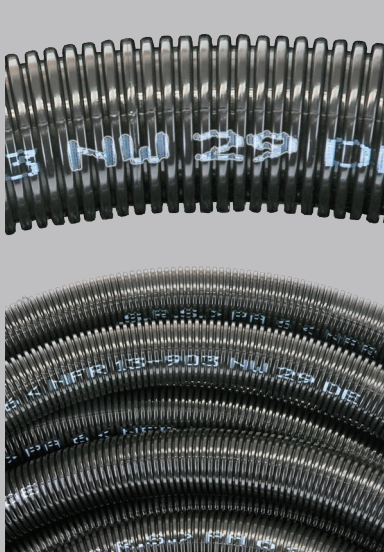
The table below provides a cross-reference for all conduit within this catalogue to Schlemmer NW sizing, and to UK NC sizing.

PA6 Conduit	PPmod Conduit	PP Split Conduit	NW Schlemmer Identification	NC UK Identification	Inside Diameter
Part Number	Part Number	Part Number	Size	Size	(mm)
1200068	1927304	LT5	NW4.5	NC06	5
1200069	1927306	—	NW6	NC07	6
1200070	—	LT7	NW7.5	NC08	6.7
1200089	1927308	—	NW8.5	NC10	8.4
1200100	—	LT10	NW10	NC12	9.9
—	1927311	—	NW11	—	11.1
1200127	—	—	NW12	NC12	12.2
1200135	—	LT13	NW13	NC16	12.7
—	—	—	NW14	—	14.2
1200178	—	LT16	NW17	NC20	16.6
1200224	—	LT20	NW22	NC25	21.3
—	—	—	NW26	NC30	25.8
1200291	—	LT30	NW29	NC32	29
1200372	—	LT36	NW37	NC40	36
1200500	—	—	NW50	NC50	47.7

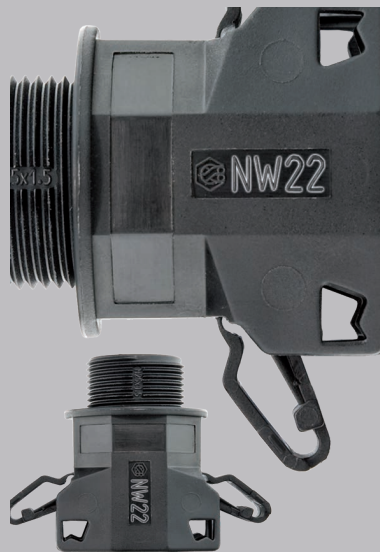
Please note that due to many different qualities of split conduit available on the market only IONNIC supplied PPmod & PP Split Conduit is confirmed to match the above NW sizing.

Identification

Marked on all rolls of PA6 & PPmod conduit, as well as all Hinged Fittings and SEM-FAST Fittings is an 'NW' number.



Conduit



Sealed Fittings



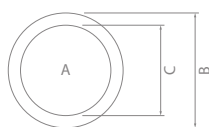
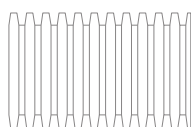
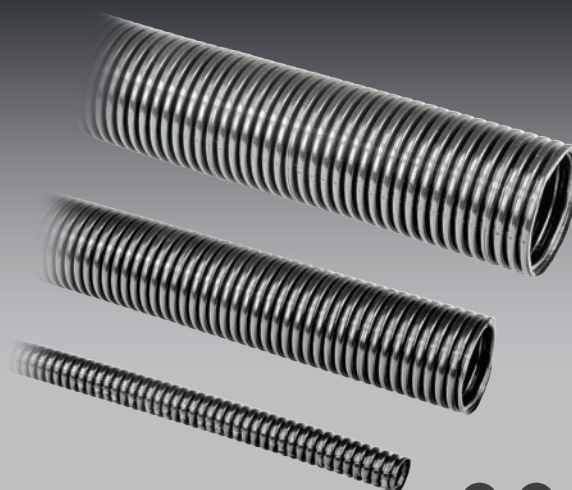
Hinged Fittings

Conduit & Conduit Fittings

Polyflex® PA6

- Highly durable & flexible.
- Self-extinguishing, flame retardant and halogen-free.
- High chemical, oil & solvent resistance.
- Wide range of sizes.
- Compatible with entire range of Schlemmer fittings and accessories.
- Made in Europe.

Material : Polyamide 6 (PA6)
 Approvals : TUV, NFR, L.C.O.E., UL, ADR & GGVS
 Burning Behaviour : FMVSS 302, <100mm/min
 UL94 HB
 UV Resistance : DIN EN ISO 8580
 Operating Temperature : Continuous -40°C to 120°C
 Short Term 150°C



Polyflex® PA6 Corrugated Conduit (Nylon)

Part No.	NW - A	NC - A	B (mm)	C (mm)	Roll Length (m)
1200068/100	4.5	6	7.1	5.0	100
1200069/100	6.0	7	9.2	6.0	100
1200070/50	7.5	8	10.0	6.7	50
1200807/5000					5,000*
1200089/50	8.5	10	11.7	8.4	50
1200808/3300					3,300*
1200100/50	10.0	12	13.0	9.9	50
1200810/3000					3,000*
1200127/50	12.0	12	15.7	12.2	50
1200135/50	13.0	16	15.8	12.7	50
1200813/2000					2,000*
1200178/50	17.0	20	21.2	16.6	50
1200817/1100					1,100*
1200224/50	22.0	25	25.4	21.3	50
1200822/700					700*
1200291/25	29.0	32	34.5	29.0	25
1200829/450					450*
1200372/25	37.0	40	42.4	36.0	25
1200500/25	50.0	50	54.0	47.0	25

* Bulk stock lead times may apply. Supplied in octagon.



Conduit & Conduit Fittings

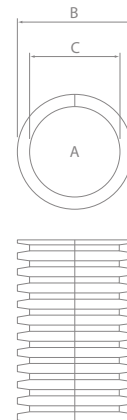
Polyflex® PPmod



Made in Europe

- Quick & easy cable insertion.
- Self-extinguishing & flame retardant.
- UV resistant & acid proof.
- Ideal for extreme temperature application.
- Compatible with a wide selection of the Schlemmer Hinged and SEM-FAST fittings.
- Made in Europe.

Material : High Temperature Polypropylene
 Burning Behaviour : FMVSS 302
 Self-extinguishing Type B & burning rate 0 (DIN7500)
 UV Resistance : DIN EN ISO 8580
 Operating Temperature : Continuous -40°C to 135°C
 Short Term 150°C

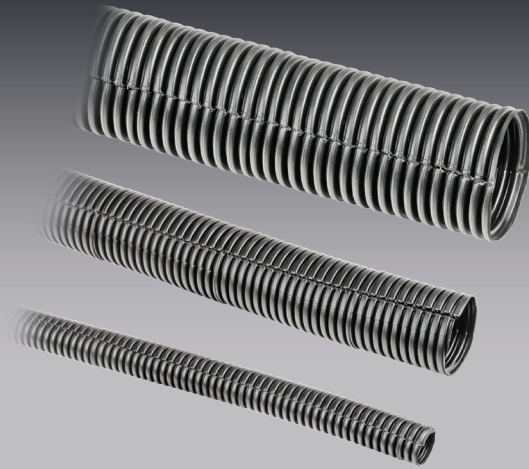


Polyflex® PPmod Corrugated Conduit – Split

Part No.	NW – A	B (mm)	C (mm)	Roll Length (m)
1927304/100	4.5	7.1	5.0	100
1927306/100	6	9.2	6.0	100
1927308/50	8.5	12.9	8.5	50
1927311/50	11	15.7	11.1	50

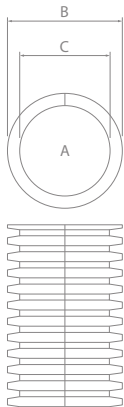
Conduit & Conduit Fittings

- Quick & easy cable insertion.
- Wide range of sizes & lengths available.
- Compatible with a wide selection of the Schlemmer Hinged and SEM-FAST fittings.
- Made in Australia.



PP Split

Material : Polypropylene
 Operating Temperature : Continuous -20°C to 90°C
 Short Term 120°C



PP Corrugated Conduit – Split

Part No.	NW – A	B (mm)	C (mm)	Roll Length (m)
LT5/100	4.5	8.0	5.0	100
LT7/50	7.5	10.4	7.0	50
LT7/400	7.5	10.4	7.0	400
LT10/30	10	12.8	9.7	30
LT10/250	10	12.8	9.7	250
LT13/30	13	15.7	12.6	30
LT13/150	13	15.7	12.6	150
LT16/30	17	20.9	16.3	30
LT16/100	17	20.9	16.3	100
LT20/30	22	25.2	21.1	30
LT20/100	22	25.2	21.1	100
LT25/50	23	30.0	25.0	50
LT30/50	29	35.0	31.2	50
LT36/25	37	42.0	36.0	25

Only IONNIC supplied PP Split Conduit is confirmed to match NW sizing on the market.
 Not a Schlemmer product.



Conduit & Conduit Fittings

SJ32



9805916/10



9805916/5



8211000/10



9805943/10

Made in Europe

- End Caps/Sleeves suitable for single or multiple cables.
- Quick & easy means of conduit termination using End Caps.
- Securely fasten PP Split & PPmod conduit using Conduit Support Clips.
- Quick & secure 'pop-in' style Christmas Tree mounting clips.
- 'P' Clamps for offset mounting.
- Range of conduit tools available.
- Made in Europe.



9805939/10



9805945/10

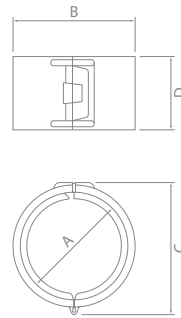


Fig 1

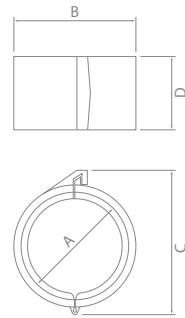


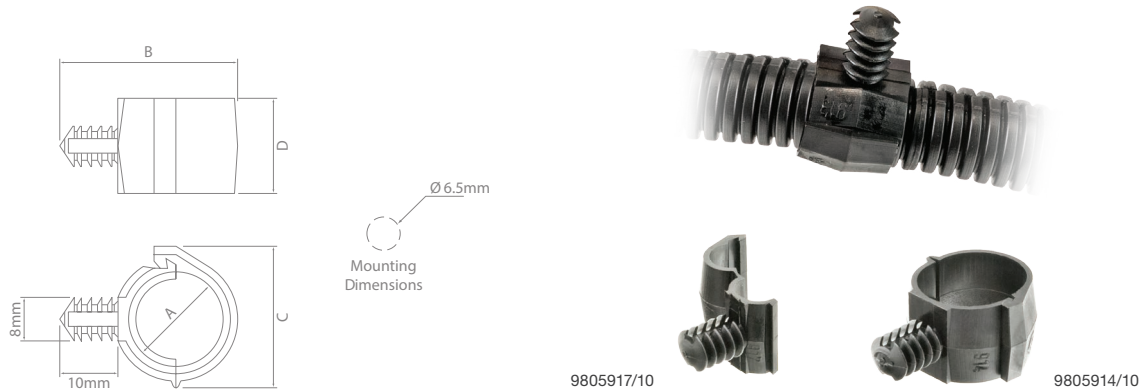
Fig 2

Conduit Support Clips

Part No.	NW - A	NC - A	B (mm)	C (mm)	D (mm)	Pack Qty	Fig
9805940/10	4.5	6	10	12	10	10	1
9805941/10	7.5	8	13	15	13	10	1
9805941/100	7.5	8	13	15	13	100	1
9805939/10	8.5	10	16	18	13	10	2
9805942/10	10	12	16	18	13	10	1
9805943/10	13	16	19	21	13	10	1
9805944/10	17	20	24	26	15	10	1
9805945/10	22	25	29	30	16	10	1

Clips use corrugations to hold conduit in place to stop any lateral movement.

Conduit & Conduit Fittings



Conduit Mounting Clips

Part No.	NW - A	NC - A	B (mm)	C (mm)	D (mm)	Pack Qty
9805917/10	4.5	6	21	13	13	10
9805911/10	7.5	8	24	16	13	10
9805912/10	8.5	10	25	17	13	10
9805913/10	10	12	27	18	13	10
9805914/10	13	16	30	21	13	10
9805925/10	17	20	35	26	13	10
9805916/10	22	25	40	31	13	10

Clips use corrugations to hold conduit in place to stop any lateral movement.

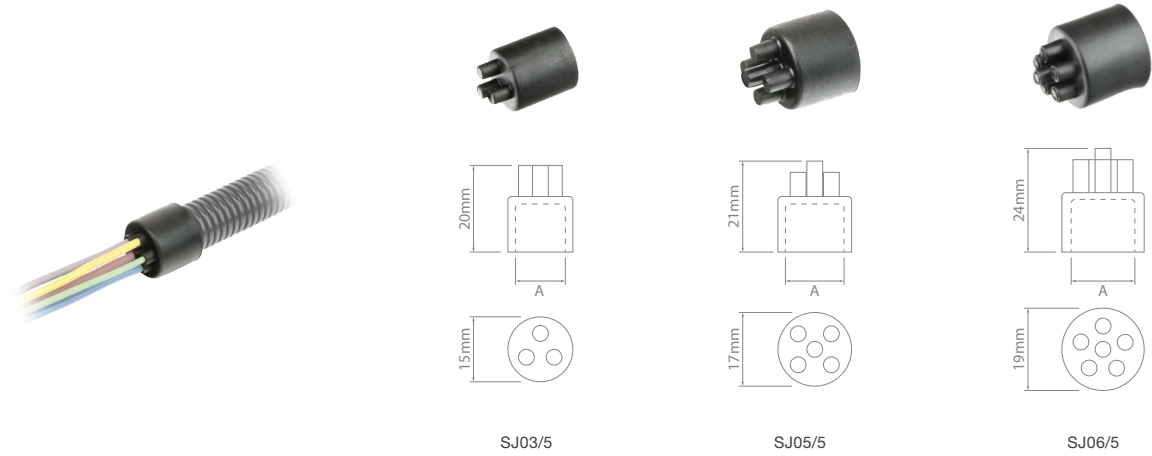


'P' Clamps - Heavy-Duty

Part No.	A (mm)	B (mm)	C (mm)	D (mm)	E (mm)	Pack Qty
8211060/10	5.7 - 6.3	28	10	16	6.6	10
8211094/10	8.6 - 9.3	30	14	16	6.6	10
8211108/10	9.5 - 10.3	32	15	16	6.6	10
8211124/10	11.5 - 12.3	34	17	16	6.6	10
8211000/10	12.3 - 13.3	36	18	16	6.6	10
8211035/10	15.5 - 16.3	38	121	16	6.6	10
8211019/10	21.4 - 22.3	47	27	19	6.6	10
8211027/10	24.4 - 25.3	58	32	23	8.6	10



Conduit & Conduit Fittings



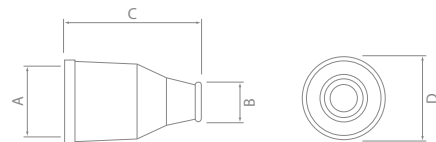
Conduit End Caps

Part No.	NW – A	NC – A	No. of Outlets	Pack Qty
SJ03/5	8.5 – 10	10 – 12	3	5
SJ05/5	10	12	5	5
SJ06/5	13	16	6	5

Single cable outlets can be achieved by trimming the end from an individual gland.



SJ12/5



Conduit End Sleeves

Part No.	NW – A	NC – A	Outlet Ø – B (mm)	C (mm)	D (mm)	Pack Qty
SJ12/5	10	12	4 – 8	29	18	5
SJ16/5	13	16	6 – 10	33	22	5
SJ20/5	17	20	9 – 15	33	27	5
SJ25/5	22	25	10 – 17	47	29	5
SJ32	29	32	12 – 20	48	35	1
SJ40	37	40	19 – 30	47	44	1

Conduit & Conduit Fittings



9001511



9001520



9001543



9001550

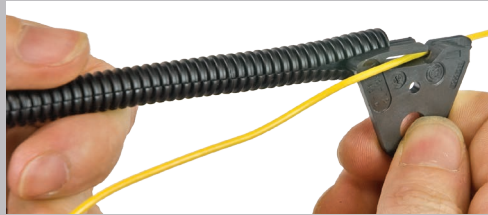
Conduit Tools

Part No.	Description	Suitable Conduit Size (NW)
9001511	Single cable insertion tool	6 – 13
9001520	Universal cable insertion tool with offset flange	10 – 26
9001543	Universal cable insertion tool – small	8.5 – 12
9001550	Universal cable insertion tool – large	13 – 26

Using Conduit Tools



Single Cable Insertion Tool



While holding end of conduit with cable, pull the insertion tool down the length of conduit.



Universal Cable Insertion Tool



Insert tool wedge containing wires into conduit split.

Drag insertion tool down the length of conduit whilst holding cables.



Conduit & Conduit Fittings

Military Plug Adaptors



SF06



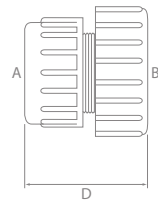
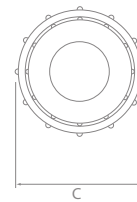
SF13

- Attach Mil-spec and TE DEUTSCH HD Series connectors to a sealed conduit system.
- Compatible with Polyflex PA6 conduit.
- Environmentally sealed – IP67, when installed using supplied conical seal with PA6 conduit.
- Suitable for hazardous applications when used with PA6 conduit.
- Made in Europe.

Made in Europe

Adaptor Body :
Conical Seal :
Cap Nut :

Polycarbonate
Neoprene
Polyamide 6



Military Plug Adaptor Kits

Part No.	NW – A	NC – A	Thread Size – B	C (mm)	D (mm)	Notes
SF02	10	12	7/8" -20 UNEF	36	31	
SF06	10	12	1" -20 UNEF	39	35	
SF03	17	20	1" -20 UNEF	36	35	
SF01	17	20	M35 x 1.75	36	35	Suits TE DEUTSCH HDP Series with L015 mod.
SF04	17	20	1, 3/16" -18 UNEF	36	38	Suits TE DEUTSCH HD36-18 adaptors
SF05	22	25	1, 7/16" -18 UNEF	38	44	Suits TE DEUTSCH HD36-24 adaptors
SF12	22	25	1, 5/8" -18 UNEF	44	48	
SF14	22	25	M34 x 1.25	45	41	
SF13	29	32	1, 5/8" -18 UNEF	45	48	

Kit contents: 1 x Adaptor Body, 1 x Conical Seal & 1 x Cap Nut.

Newsletter

Receive the latest ionnic news and updates
via email, sign up

ionnic.com/product-updates.html

The preview shows the top of an email newsletter. It features the IONNIC logo with a tagline 'Lighting | Safety | Electrical' and the text 'Product Update Newsletter March 2025'. Below this is a red heading 'IONNIC AI' followed by 'Intelligent Safety Solutions'. A video player is shown with a red play button, featuring a blue wireframe forklift and a person in a red safety box. The video title is 'IONNIC and Brigade Electronics team up to release the latest innovation in intelligent detection'.

IONNIC and Brigade Electronics team up to release the latest innovation in intelligent detection

Artificial Intelligence is driving technological advancements in the business of protecting lives. AI offers real-world improvements in risk evaluation, alert notification and intelligent object classification.

Contact us to explore how we can enhance your workplace safety by integrating edge AI into your mobile plant and equipment.

With Intelligent Detection, you are even safer with us.

Contact Us



ionnic.com

Conduit & Conduit Fittings

SEM-FAST Adaptors



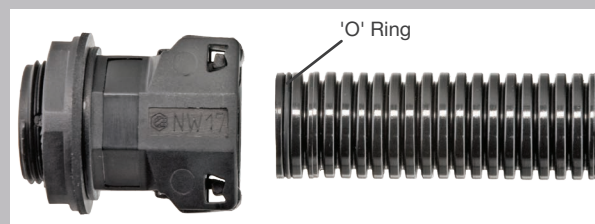
- Flame retardant & halogen-free Polyamide 6.
- Compatible with PA6, PPmod or PP Split conduit.
- Special lock-in design.
- High tensile strength.
- Environmentally sealed – IP67, when installed using supplied 'O' Ring with PA6 conduit.
- Made in Europe.

Made in Europe

Adaptor Body :
'O' Ring :
Burning Behaviour :

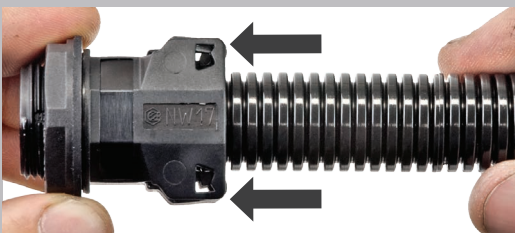
Polyamide 6 (PA6)
Perbunane
According to FMVSS 302
<100mm/min

Using SEM-FAST Adaptor Kits



To create a seal of up to IP67* use the supplied 'O' Ring in the first groove of the conduit.

* IP67 seal can only be achieved when used with PA6 conduit.

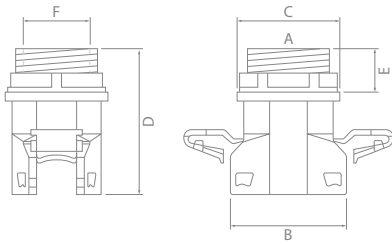


Insert conduit into already closed SEM-FAST adaptor and firmly push in until locking clamps catch.



To remove fitting use a small flat blade screwdriver to disengage clamps from conduit.

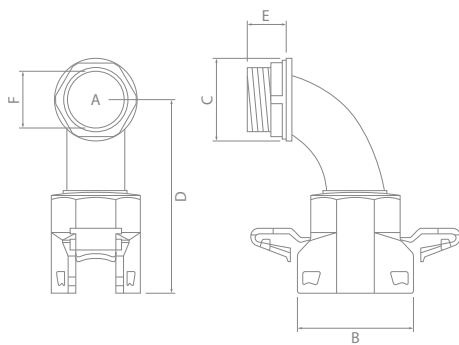
Conduit & Conduit Fittings



SEM-FAST Adaptor Kits – Straight

Part No.	NW – A	NC – A	Thread Size	B (mm)	C (mm)	D (mm)	E (mm)	F (mm)	Pack Qty
SEM8PG7/5	7.5	8	PG7	19	18	34	11	7.5	5
SEM10M12/5	8.5	10	M12 x 1.5	20.6	20	35	11	7.5	5
SEM12M12/5	10	12	M12 x 1.5	21.6	22	36	12	7.5	5
SEM12M16/5	10	12	M16 x 1.5	21.6	22	36	12	11	5
SEM16M16/5	13	16	M16 x 1.5	25.5	25	38	12	11	5
SEM16M20/5	13	16	M20 x 1.5	25.5	25	38	12	15.2	5
SEM20M20/5	17	20	M20 x 1.5	34.5	31	43	13	15.4	5
SEM20M25/5	17	20	M25 x 1.5	34.5	31	43	13	19.1	5
SEM25M25/5	22	25	M25 x 1.5	40.5	36	48	13	25	5
SEM32M32	29	32	M32 x 1.5	49.5	46	52	15	25.5	1
SEM40M40	37	40	M40 x 1.5	59	55	62	17	34	1
SEM50M63	50	50	M63 x 1.5	72	83	68	19	54	1

Kit contents: 1 x Adaptor Body, 1 x Flat Washer, 1 x Nut, 1 x 'O' Ring.



SEM-FAST Adaptor Kits – 90°

Part No.	NW – A	NC – A	Thread Size	B (mm)	C (mm)	D (mm)	E (mm)	F (mm)	Pack Qty
SEM12M1690/5	10	12	M16 x 1.5	21.6	20	49.3	12	9.5	5
SEM16M1690/5	13	16	M16 x 1.5	25.5	20	51.8	12	9.5	5
SEM16M2090/5	13	16	M20 x 1.5	25.5	25	59.3	12	13.5	5
SEM20M2090/5	17	20	M20 x 1.5	34.5	25	58.3	12	13.5	5
SEM20M2590/5	17	20	M25 x 1.5	34.5	31	64.5	13	17	5
SEM32M3290	29	32	M32 x 1.5	49.5	38	74.6	13	23	1
SEM40M4090	37	40	M40 x 1.5	59	48	92.5	15	31	1
SEM50M6390	50	50	M63 x 1.5	72	83	125.1	19	54	1

Kit contents: 1 x Adaptor Body, 1 x Flat Washer, 1 x Nut, 1 x 'O' Ring.



Conduit & Conduit Fittings

Threadconnect Adaptors



SD40M40

- Compatible with Polyflex PA6 conduit.
- Halogen-free.
- Wide range of sizes.
- Environmentally sealed – IP67, when installed using supplied conical seal with PA6 conduit.
- Made in Europe.

SD12M1690/5



Made in Europe

Adaptor Body :
'O' Ring :
Flat Washer :

Polyamide 6 (PA6)
Neoprene
Perbunane

Using Threadconnect Adaptor Kits



For maximum effectiveness the conical seal must be placed at least two corrugations back from the end of the conduit, as shown above.



Tighten firmly by hand to ensure an IP67* rated connection.

* IP67 seal can only be achieved when used with PA6 conduit.



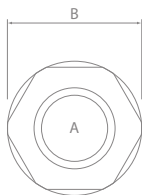
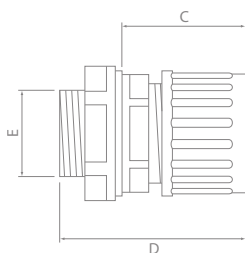
For maximum effectiveness the conical seal must be placed at least two corrugations back from the end of the conduit, as shown above.



When tightening 90° Kits, the locking washer will click into the groves in the cap nut ensuring a secure, slip-free IP67* rated connection.

* IP67 seal can only be achieved when used with PA6 conduit.

Conduit & Conduit Fittings



SD32M32

Threadconnect Adaptor Kits – Straight

Part No.	NW – A	NC – A	Thread Size	B (mm)	C (mm)	D (mm)	E (mm)	Pack Qty
SD10M16/5	8.5	10	M16 x 1.5	25	25	38	16	5
SD12M16/5	10	12	M16 x 1.5	25	29	40	16	5
SD12M20/5	10	12	M20 x 1.5	29	29	40	20	5
SD12PG11/5	10	12	PG11	26	29	40	19	5
SD16M16/5	13	16	M16 x 1.5	27	26	38	16	5
SD16M20/5	13	16	M20 x 1.5	27	26	38	20	5
SD16PG13/5	13	16	PG13	29	26	34	20	5
SD20M20/5	17	20	M20 x 1.5	32	28	42	20	5
SD20PG16/5	17	20	PG16	34	28	40	23	5
SD25M25/5	22	25	M25 x 1.5	46	35	49	25	5
SD25M32/5	22	25	M32 x 1.5	50	33	48	32	5
SD32M32	29	32	M32 x 1.5	52	35	49	32	1
SD32PG29	29	32	PG29	52	35	49	37	1
SD40M40*	37	40	M40 x 1.5	63	37	49	40	1
SD50M50*	50	50	M50 x 1.5	76	37	49	50	1

Kit contents: 1 x Adaptor Body, 1 x Flat Washer, 1 x Nut, 1 x Conical Seal & 1 x Cap Nut.

* Supplied with 'O' Ring & Acetal Clamping Ring instead of Flat Washer & Conical Seal. Seals to IP54.

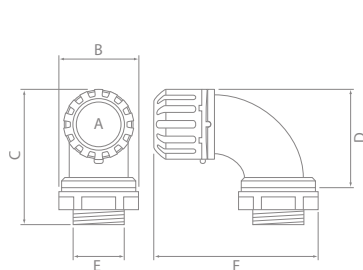


Fig 1

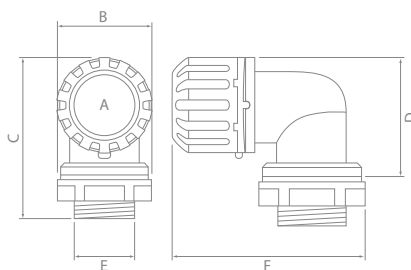


Fig 2



SD25M2590/5

Threadconnect Adaptor Kits – 90°

Part No.	NW – A	NC – A	Thread Size	B (mm)	C (mm)	D (mm)	E (mm)	F (mm)	Pack Qty	Fig
SD10M1690/5	8.5	10	M16 x 1.5	25	46	35	16	59	5	1
SD12M1690/5	10	12	M16 x 1.5	25	46	35	16	59	5	1
SD16M1690/5	13	16	M16 x 1.5	26	47	35	16	59	5	1
SD16M2090/5	13	16	M20 x 1.5	29	49	36	20	60	5	1
SD20M2090/5	17	20	M20 x 1.5	31	52	44	20	62	5	1
SD25M2590/5	22	25	M25 x 1.5	39	62	47	25	74	5	1
SD32M3290	29	32	M32 x 1.5	47	70	54	32	81	1	2

Kit contents: 1 x Adaptor Body, 1 x Flat Washer, 1 x Nut, 1 x Conical Seal & 1 x Cap Nut.



Conduit & Conduit Fittings

Threadconnect Fittings



CTPB28



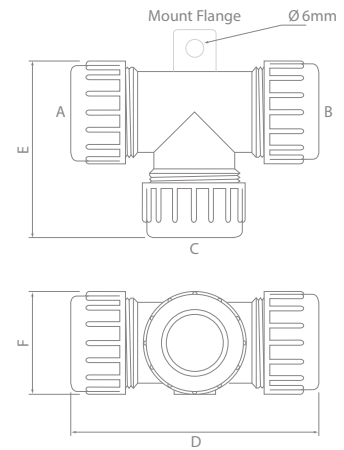
SE20

Made in Europe

- Compatible with Polyflex PA6 conduit.
- T Piece Locking version supplied with lock washer to prevent cap nut from coming loose.
- Environmentally sealed – IP67, when installed using supplied conical seal with PA6 conduit.
- Suitable for hazardous applications when used with PA6 conduit.
- Made in Europe.

Adaptor Body :
Conical Seal :
Cap Nut :
Operating Temperature :

Polycarbonate
Neoprene
Polyamide 6
-25°C to 80°C



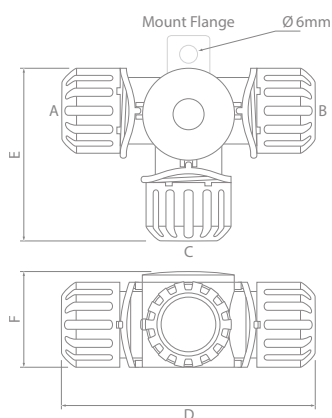
Threadconnect T Piece Kits

Part No.	A	NW B	C	A	NC B	C	Mount Flange	D (mm)	E (mm)	F (mm)	Pack Qty
SE10	8.5	8.5	8.5	10	10	10	No	74	50	24	1
SE12	10	10	10	12	12	12	No	80	53	24	1
SE20	17	17	17	20	20	20	Yes	76	54	32	1
SE25*	22	22	22	25	25	25	Yes	96	83	42	1
SE2520	22	22	17	25	25	20	Yes	96	53	42	1

Kit contents: 1 x Adaptor Body, 3 x Conical Seal & 3 x Cap Nut.

* Supplied with adaptor to achieve outlet size.

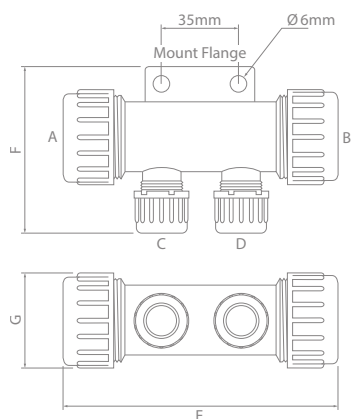
Conduit & Conduit Fittings



Threadconnect T Piece Kits – Locking

Part No.	NW			NC			Mount Flange	D (mm)	E (mm)	F (mm)	Pack Qty
	A	B	C	A	B	C					
CTP12	10	10	10	12	12	12	No	73	52	28	1
CTP16	13	13	13	16	16	16	No	75	53	31	1
CTPB20	17	17	17	20	20	20	No	82	60	36	1
CTPB28	22	22	22	25	25	25	Yes	98	71	43	1
CTPB32	29	29	29	32	32	32	Yes	106	83	50	1

Kit contents: 1 x Adaptor Body, 3 x Locking Washer, 3 x Conical Seal, 3 x Cap Nut & 1 x Adaptor Body Access Cap.
Not compatible with Threadconnect Reducers.



Threadconnect Manifold Kit

Part No.	NW				NC				Mount Flange	E (mm)	F (mm)	G (mm)	Pack Qty
	A	B	C	D	A	B	C	D					
SE25X12	22	22	10	10	25	25	12	12	Yes	121	73	42	1

Kit contents: 1 x Adaptor Body, 4 x Conical Seal & 4 x Cap Nut.



Conduit & Conduit Fittings

Threadconnect Reducers



SF1612/5



SF2516/5

Made in Europe

- Compatible with Polyflex PA6 conduit.
- Environmentally sealed – IP67, when installed using supplied conical seal with PA6 conduit.
- Suitable for hazardous applications when used with PA6 conduit.
- Made in Europe.

Reducer Seal :
Cap Nut :

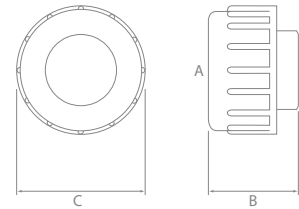
Neoprene
Polyamide 6



SF1208/5



SF2520/5



Threadconnect Reducer Kits

Part No.	NW Size Reduction – A	NC Size Reduction – A	B (mm)	C (mm)	Pack Qty
SF1208/5	10 to 7.5	12 to 8	20	24	5
SF1612/5	13 to 10	16 to 12	22	26	5
SF2012/5	17 to 10	20 to 12	23	32	5
SF2016/5	17 to 13	20 to 16	23	32	5
SF2512/5	22 to 10	25 to 12	23	42	5
SF2516/5	22 to 13	25 to 16	23	42	5
SF2520/5	22 to 17	25 to 20	23	42	5

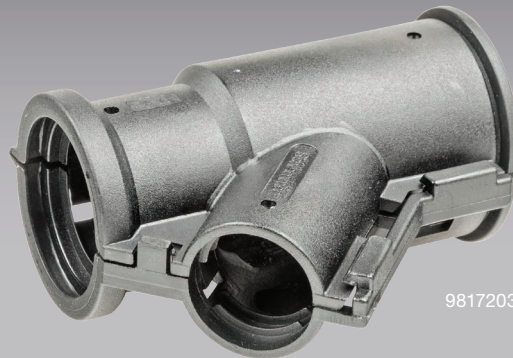
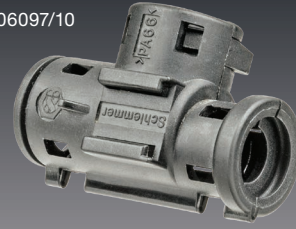
Kit contents: 1 x Reducer Seal & 1 x Cap Nut.

Not Compatible with Threadconnect T Piece – Locking.

Conduit & Conduit Fittings

- Compatible with PA6, PPmod or PP Split conduit.
- Snap-lock clips for quick & easy assembly.
- Seals to IP54 when used with PA6 conduit.
- Wide range of sizes.
- Selected models feature mounting slot compatible with Mounting Clips – page 29.
- Reducers available for more size options – page 29.
- Made in Europe.

9806097/10

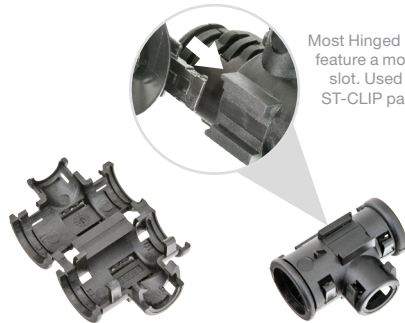
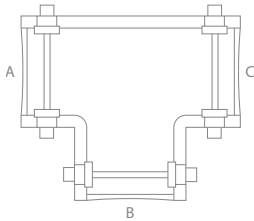


9817203/10

Material :
Operating Temperature :

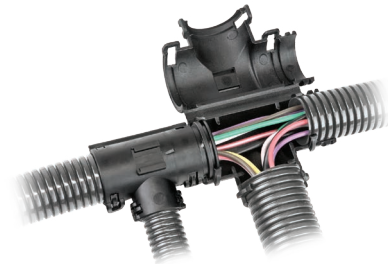
Polyamide 66 (PA66)
-40°C to 135°C

Made in Europe



Most Hinged Fittings feature a mounting slot. Used with ST-CLIP page 29

9806090/10



T-Piece

Part No.	NW – A – B – C	NC – A – B – C	Mounting Slot	Pack Qty
9806082/10	7.5 – 7.5 – 7.5	8 – 8 – 8	Yes	10
9806088/10	8.5 – 8.5 – 10	10 – 10 – 12	Yes	10
9806086/10	10 – 8.5 – 10	12 – 10 – 12	Yes	10
9806089/10	10 – 10 – 10	12 – 12 – 12	Yes	10
9806090/10	13 – 8.5 – 10	16 – 10 – 12	Yes	10
9806091/10	13 – 10 – 10	16 – 12 – 12	Yes	10
9806092/10	13 – 7.5 – 13	16 – 8 – 16	Yes	10
9806093/10	13 – 13 – 7.5	16 – 16 – 8	Yes	10
9806096/10	17 – 13 – 13	20 – 16 – 16	Yes	10
9806095/10	17 – 7.5 – 17	20 – 8 – 20	Yes	10
9806099/10	17 – 17 – 7.5	20 – 20 – 8	Yes	10
9806196/10	17 – 17 – 17	20 – 20 – 20	Yes	10



Conduit & Conduit Fittings



9806131/10

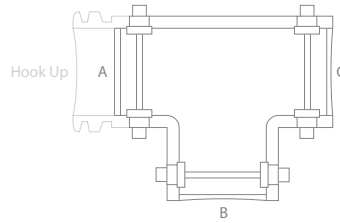


Fig 1

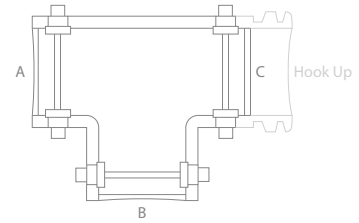


Fig 2

T-Piece – Hook Up

Part No.	NW – A – B – C	NC – A – B – C	Hook Up	Mounting Slot	Pack Qty	Fig
9806130/10	10 – 7.5 – 7.5	12 – 8 – 8	A	No	10	1
9806131/10	13 – 10 – 10	16 – 12 – 12	A	Yes	10	1
9806133/10	8.5 – 8.5 – 8.5	10 – 10 – 10	C	Yes	10	2
9806111/10	10 – 7.5 – 10	12 – 8 – 12	C	Yes	10	2
9806111/100	10 – 7.5 – 10	12 – 8 – 12	C	Yes	100	2
9806160/10	10 – 10 – 7.5	12 – 12 – 8	C	Yes	10	2
9806138/10	10 – 10 – 10	12 – 12 – 12	C	Yes	10	2
9806138/100	10 – 10 – 10	12 – 12 – 12	C	Yes	100	2
9806127/10	13 – 4.5 – 10	16 – 6 – 12	C	Yes	10	2
9806158/10	13 – 7.5 – 13	16 – 8 – 16	C	Yes	10	2
9806118/10	13 – 8.5 – 13	16 – 10 – 16	C	Yes	10	2
9806172/10	13 – 10 – 7.5	16 – 12 – 8	C	Yes	10	2
9806104/10	13 – 13 – 10	16 – 16 – 12	C	Yes	10	2
9806159/10	13 – 13 – 7.5	16 – 16 – 8	C	Yes	10	2
9806101/10	13 – 10 – 13	16 – 12 – 16	C	Yes	10	2
9806115/10	13 – 13 – 13	16 – 16 – 16	C	Yes	10	2
9806115/100	13 – 13 – 13	16 – 16 – 16	C	Yes	100	2

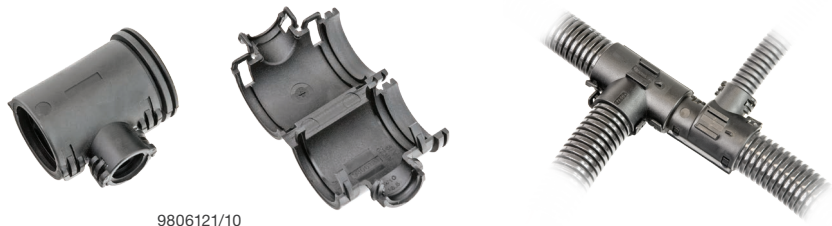
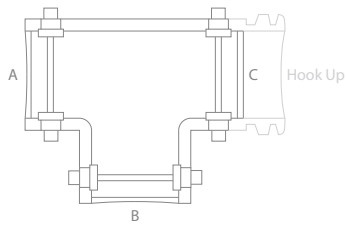
Create Manifold Using Hook Up Outlet

Most Hinged Fittings feature a single outlet with a protruding ridged ring used to “hook up” with other Hinged Fittings creating manifolds.

This ridged ring simulates a piece of corrugated conduit allowing other Hinged Fittings, the next size up, to securely clamp down around it.



Conduit & Conduit Fittings



9806121/10

T-Piece – Hook Up *cont.*

Part No.	NW – A–B–C	NC – A–B–C	Hook Up	Mounting Slot	Pack Qty
9806137/10	17 – 7.5 – 17	20 – 8 – 20	C	Yes	10
9806120/10	17 – 8.5 – 17	20 – 10 – 20	C	Yes	10
9806136/10	17 – 10 – 17	20 – 12 – 20	C	Yes	10
9806107/10	17 – 10 – 13	20 – 12 – 16	C	Yes	10
9806100/10	17 – 7.5 – 13	20 – 8 – 16	C	Yes	10
9806166/10	17 – 13 – 13	20 – 16 – 16	C	Yes	10
9806167/10	17 – 17 – 7.5	20 – 20 – 8	C	Yes	10
9806141/10	17 – 13 – 17	20 – 16 – 20	C	Yes	10
9806135/10	17 – 22 – 17	20 – 25 – 20	C	Yes	10
9806103/10	22 – 17 – 13	25 – 20 – 16	C	Yes	10
9806126/10	22 – 22 – 17	25 – 25 – 20	C	No	10
9806114/10	22 – 13 – 17	25 – 16 – 20	C	No	10
9806113/10	22 – 7.5 – 22	25 – 8 – 25	C	No	10
9806149/10	22 – 8.5 – 22	25 – 10 – 25	C	No	10
9806143/10	22 – 10 – 10	25 – 12 – 12	C	No	10
9806121/10	22 – 10 – 22	25 – 12 – 25	C	No	10
9806108/10	22 – 13 – 22	25 – 16 – 25	C	No	10
9806108/100	22 – 13 – 22	25 – 16 – 25	C	No	100
9806102/10	22 – 22 – 22	25 – 25 – 25	C	No	10
9806124/10	26 – 17 – 13	30 – 20 – 16	C	No	10
9806112/10	26 – 22 – 22	30 – 25 – 25	C	No	10
9806110/10	26 – 26 – 22	30 – 30 – 25	C	No	10
9806129/10	26 – 10 – 26	30 – 12 – 30	C	No	10
9806146/10	26 – 17 – 26	30 – 20 – 30	C	No	10



Conduit & Conduit Fittings

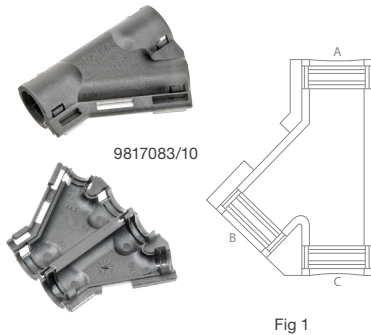


Fig 1

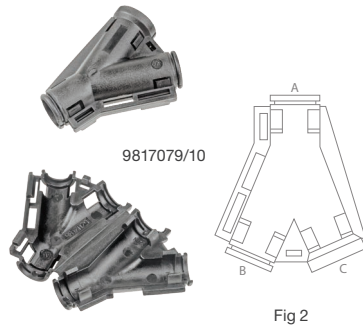


Fig 2

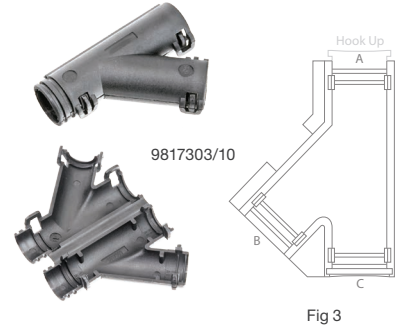


Fig 3



9817311/10

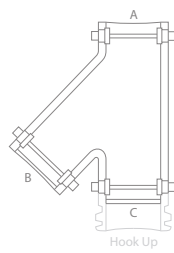
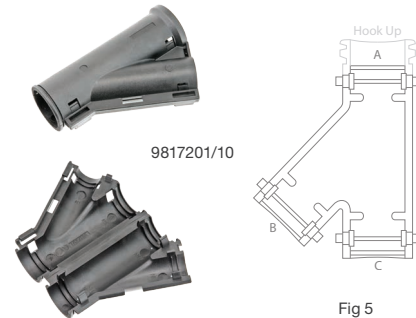


Fig 4



9817201/10

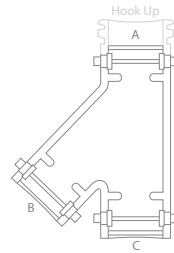


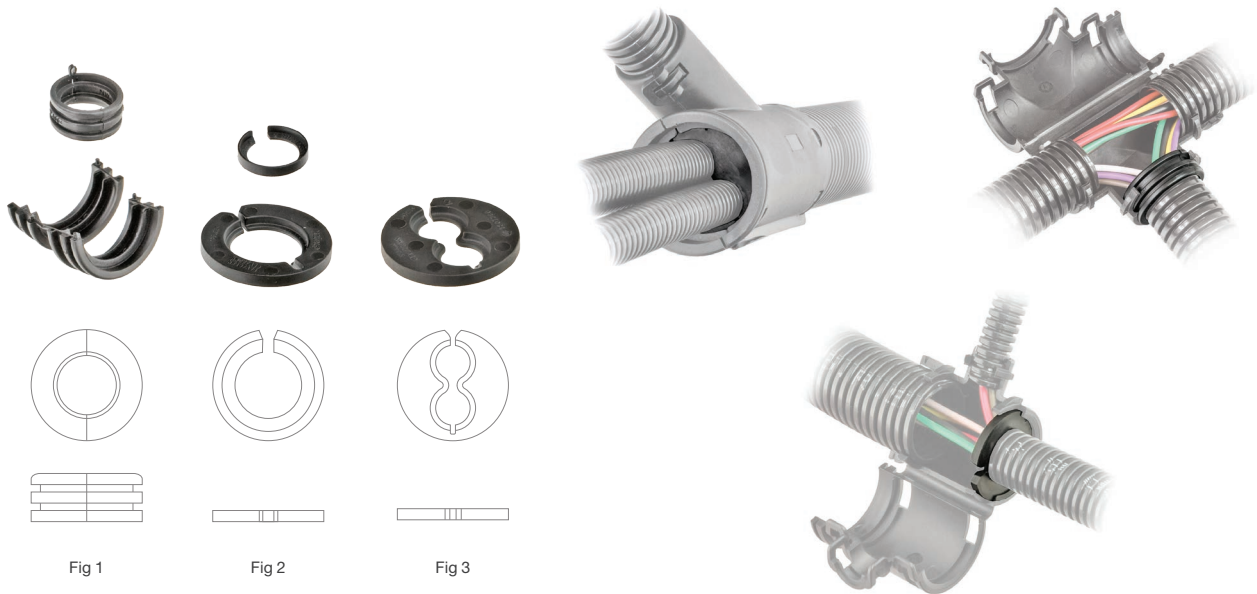
Fig 5

Y-Piece

Part No.	NW - A-B-C	NC - A-B-C	Hook Up	Mounting Slot	Pack Qty	Fig
9817083/10	7.5 - 4.5 - 7.5	8 - 6 - 8	—	Yes	10	1
9817079/10	7.5 - 7.5 - 7.5	8 - 8 - 8	—	Yes	10	2
9817079/100	7.5 - 7.5 - 7.5	8 - 8 - 8	—	Yes	100	2
9817303/10	10 - 10 - 10	12 - 12 - 12	A	Yes	10	3
9817303/100	10 - 10 - 10	12 - 12 - 12	A	Yes	100	3
9817304/10	13 - 7.5 - 10	16 - 8 - 12	C	Yes	10	4
9817306/10	13 - 10 - 10	16 - 12 - 12	C	Yes	10	4
9817305/10	13 - 10 - 13	16 - 12 - 16	C	Yes	10	4
9817305/100	13 - 10 - 13	16 - 12 - 16	C	Yes	100	4
9817308/10	13 - 13 - 13	16 - 16 - 16	C	Yes	10	4
SM200812/10	17 - 7.5* - 10	20 - 8* - 12	C	Yes	10	4
9817310/10	17 - 13 - 10	20 - 16 - 12	C	Yes	10	4
9817310/100	17 - 13 - 10	20 - 16 - 12	C	Yes	100	4
9817309/10	17 - 17 - 10	20 - 20 - 12	C	Yes	10	4
9817201/10	17 - 13 - 17	20 - 16 - 20	A	No	10	5
9817201/100	17 - 13 - 17	20 - 16 - 20	A	No	100	5
9817200/10	22 - 10 - 17	25 - 12 - 20	A	No	10	5
9817203/10	22 - 13 - 17	25 - 16 - 20	A	No	10	5
9817202/10	22 - 17 - 17	25 - 20 - 20	A	No	10	5
9817034/10	22 - 10 - 22	25 - 12 - 25	C	No	10	4
9817311/10	22 - 13 - 22	25 - 16 - 25	C	No	10	4
9817302/10	22 - 22 - 22	25 - 25 - 25	C	No	10	4

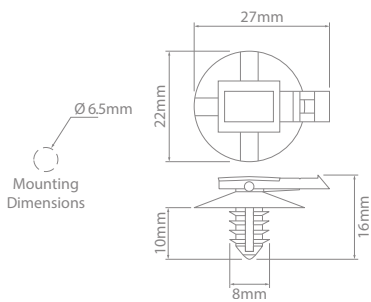
* Reducer supplied to achieve outlet size.

Conduit & Conduit Fittings



Hinged Fitting Reducers

Part No.	NW Size Reduction	NC Size Reduction	Pack Qty	Fig
7807270/10	8.5 to 4.5	10 to 6	10	1
7807272/10	10 to 4.5	12 to 6	10	1
7807276/10	10 to 7.5	12 to 8	10	1
7807288/10	10 to 8.5	12 to 10	10	2
7807278/10	13 to 7.5	16 to 8	10	1
7807280/10	13 to 10	16 to 12	10	1
7807296/10	17 to 13	20 to 16	10	2
7807290/10	22 to 7.5 & 7.5	25 to 8 & 8	10	3
7807294/10	22 to 13	25 to 16	10	2
7807282/10	22 to 17	25 to 20	10	1



Hinged Fitting Mounting Clips

Part No.	Description	Pack Qty
ST-CLIP/10	'Christmas Tree' clip	10

