


Battery Master Switches



Battery Master Switches

	Fixed Handle – Polymer	28
	Fixed Handle – Metal	30
	L Handle	32
	Removable Key	36
	T Handle	37
	General	38
	Marine Series	39
	Big Red	40
	Battery Lockout Kits	42
	Universal Lockout Kits	44
	BMS – Accessories	46

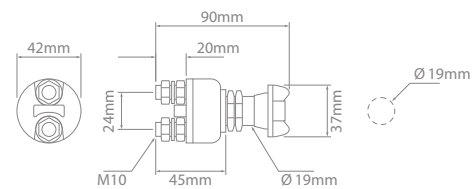
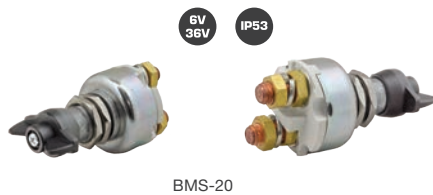
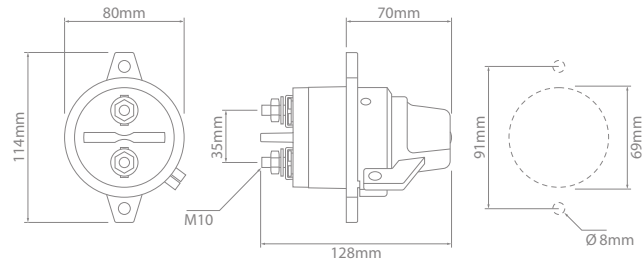
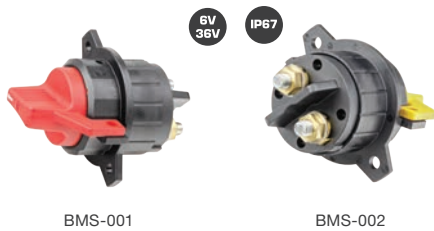
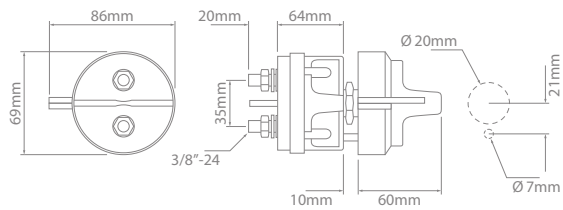
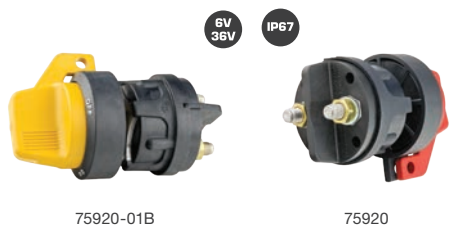
BMS - Manual Switching

Fixed Handle - Polymer



- Single and Double Pole models available.
- Silver alloy contacts on most models.
- Weather resistant.
- Multi-voltage.
- Environmentally sealed.
- Integrated lockout except BMS-20.
- Optional lockout brackets available for BMS-20.
- 75930 series features auxiliary contacts.

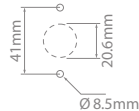
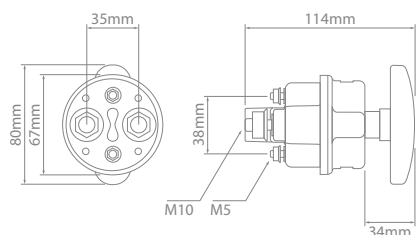
Voltage :	Single Pole	6-36V
	75930 Series	12-32V
	Double Pole	12-48V
Contacts :		Silver Alloy
	75930 Series	Copper
Operating Temperature :	75930 Series	-40 to 85°C
	Double Pole	-50 to 105°C



Fixed Handle - Polymer - Single Pole

Part No.	Description	Main Contacts (A)		Fits Panel Thickness (mm)	IP Rating
		Intermittent	Continuous		
75920	Single Pole - Red handle	3000	300	12	IP67
75920-01B	Single Pole - Yellow handle	3000	300	12	IP67
BMS-001	Single Pole - Red handle	2000	250	—	IP67
BMS-002	Single Pole - Yellow handle	2000	250	—	IP67
BMS-20	Single Pole	1000	125	8.8	IP53

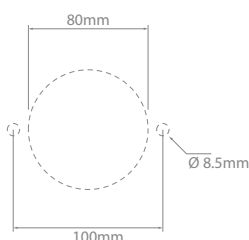
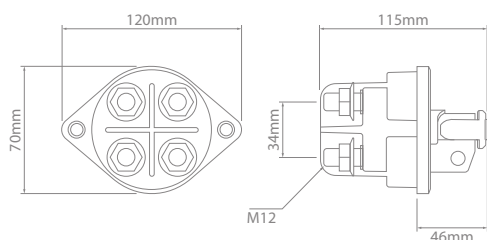
BMS - Manual Switching



Integrated lockout on both positions

Fixed Handle – Polymer – Single Pole with Auxiliary NEW

Part No.	Description	Main Contacts (A)		Auxiliary Contacts (A)	IP Rating
		Intermittent	Continuous	Continuous	
75930-01	Single Pole with Auxiliary – Red handle	1000	300	20	IP67, IPX9K
75930-02	Single Pole with Auxiliary – Yellow handle	1000	300	20	IP67, IPX9K



Integrated lockout on both positions

Fixed Handle – Polymer – Double Pole NEW

Part No.	Description	Main Contacts (A)		IP Rating
		Intermittent	Continuous	
880175R	Double Pole – Red handle	3000	500	IP67, IP69K
880175Y	Double Pole – Yellow handle	3000	500	IP67, IP69K



BMS-003BKT



BMS-004BKT



BMS-3R



BMS-3Y



BMS-IMP, BMS-ES

Fixed Handle – Polymer – Accessories

Part No.	Description	Suits	Suits
		Battery Master Switch	High Current Connector
BMS-003BKT NEW	Mounting bracket – powder coated Black	BMS-001, BMS-002	–
BMS-004BKT NEW	Mounting bracket – powder coated Black	BMS-001, BMS-002	SB175, SB350
BMS-3R	Lockout – 2 piece nylon – Red	BMS-20	–
BMS-3Y	Lockout – 2 piece nylon – Yellow	BMS-20	–
BMS-IMP	60mm Brass extension stud – 3/8"-24	75920, 75920-01B	–
BMS-ES	60mm Brass extension stud – M10	BMS-001, BMS-002, BMS-20	–



BMS - Manual Switching

Fixed Handle - Metal



- Single and Double Pole models available.
- Silver alloy contacts on most models.
- Multi-voltage.
- Optional lockout bracket where available.
- Auxiliary contacts on Single Pole models.

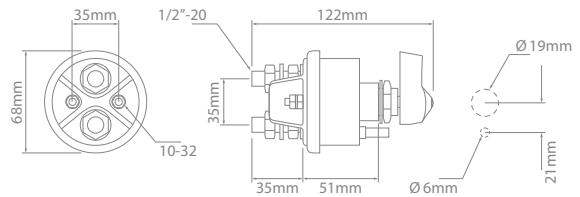
6V
36V

Voltage :
Contacts :

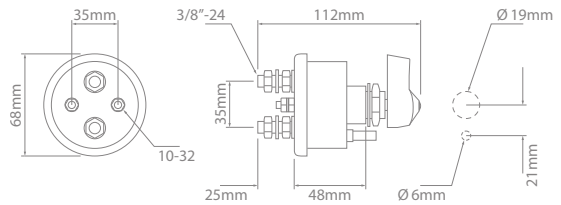
6-36V
Silver Alloy
Copper
75903



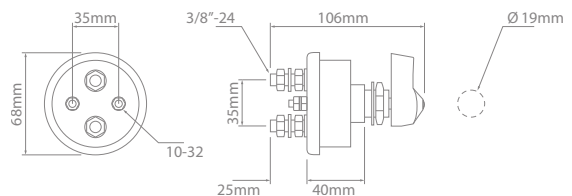
75907



BMS-17, 75910B



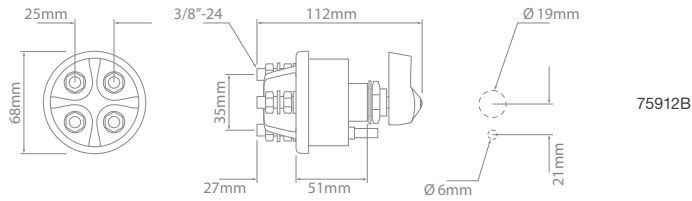
75903



Fixed Handle - Metal - Single Pole

Part No.	Description	Main Contacts (A)		Auxiliary Contacts (A)	Fits Panel Thickness (mm)
		Intermittent	Continuous	Continuous	
75907	Single Pole with Auxiliary	2000	300	20	6.4
BMS-17	Single Pole with Auxiliary	1000	300	20	6.4
75910B	Single Pole with Auxiliary	1000	125	20	6.4
75903	Single Pole with Auxiliary	1000	125	20	4.8

BMS - Manual Switching



75912B

Fixed Handle - Metal - Double Pole

Part No.	Description	Main Contacts (A)		Auxiliary Contacts (A)	Fits Panel Thickness (mm)
		Intermittent	Continuous	Continuous	
75912B	Double Pole	750	125	—	6.5



BMS-005BKT



BMS-006BKT



BMS-007BKT



Shown with 2 x BMS-17, BMS-18R and BMS-18Y installed to a BMS-007BKT



BMS-18



BMS-18R



BMS-18Y



Padlock not supplied with lockout brackets



LS11004-01



LS11004-02



Padlock not supplied with lockout brackets



BMS-IMP

Fixed Handle - Metal - Accessories

Part No.	Description	Suits	Suits
		Battery Master Switch	High Current Connector
BMS-005BKT NEW	Mounting bracket - powder coated Black	BMS-17	SB175, SB350
BMS-006BKT NEW	Mounting bracket - powder coated Black	BMS-17	—
BMS-007BKT NEW	Mounting bracket - powder coated Black	2 x BMS-17	—
BMS-18	Lockout - 2 piece metal	All Fixed Handle - Metal	—
BMS-18R	Lockout - 2 piece metal - powder coated Red	All Fixed Handle - Metal	—
BMS-18Y	Lockout - 2 piece metal - powder coated Yellow	All Fixed Handle - Metal	—
LS11004-01	Lockout - Hinged stainless steel - powder coated Red	All Fixed Handle - Metal	—
LS11004-02	Lockout - Hinged stainless steel - powder coated Yellow	All Fixed Handle - Metal	—
BMS-IMP	60mm Brass extension stud - 3/8"-24	BMS-17, 75910B, 75903, 75912B	—



BMS - Manual Switching

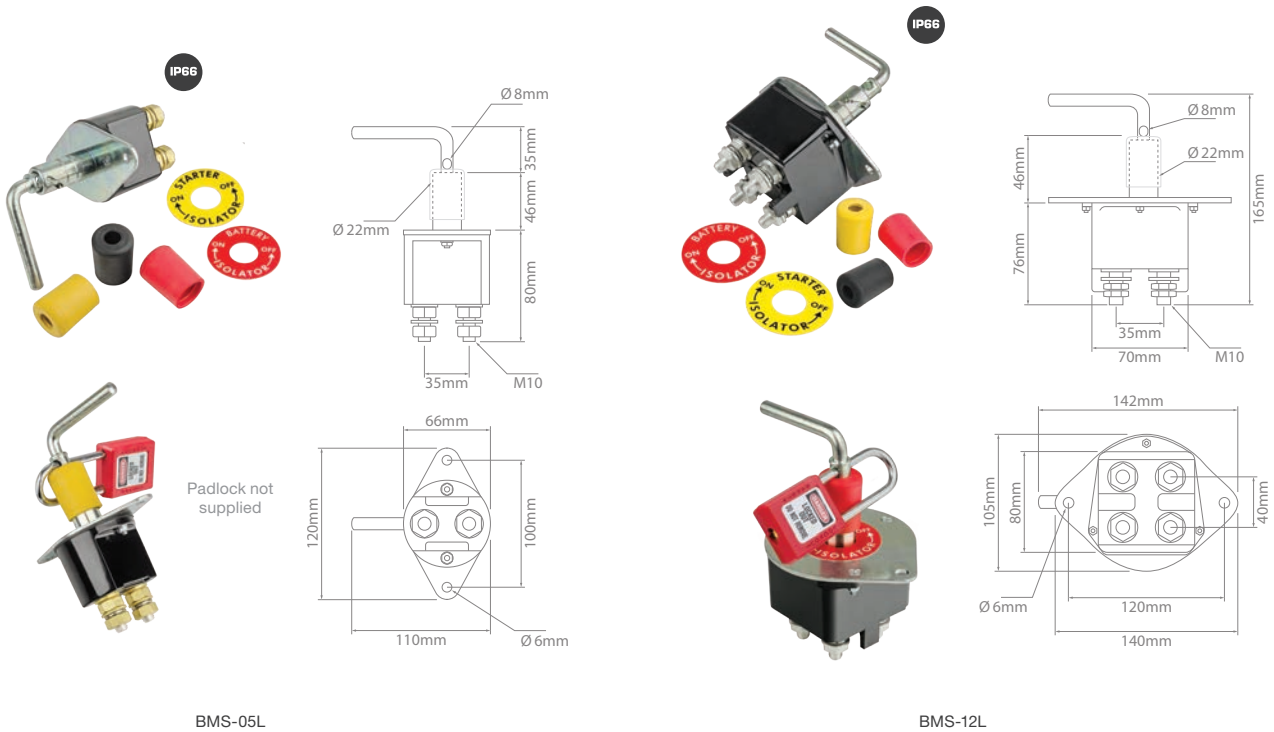
L Handle



- BMS-05L & BMS-12L feature an integrated locking facility.
- BMS-05/L & BMS-12/L environmentally sealed – IP66.
- Single and Double Pole models.
- Lockout brackets available for BMS-05 & BMS-12.
- BMS-12/L features silver-plated contacts.

Voltage :	6–36V
Contacts :	Copper
	BMS-12/L Silver-plated Copper
Handle :	Zinc-plated
	BMS-07 Zinc-plated
Body :	Bakelite
	BMS-05/L, BMS-12/L IP43
Ingress Protection :	IP66
	BMS-07 IP43
	BMS-05/L, BMS-12/L IP66

6V
36V



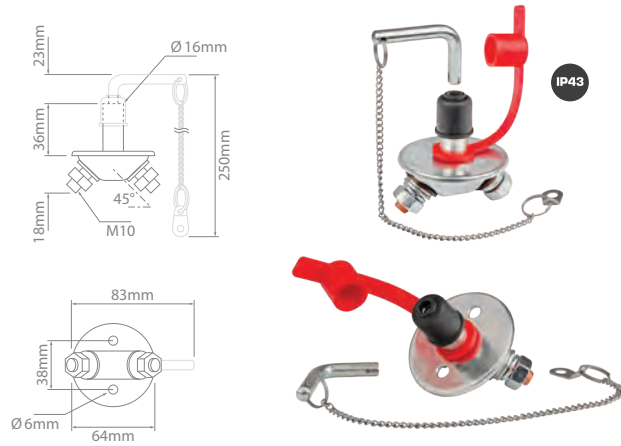
BMS-05L

BMS-12L

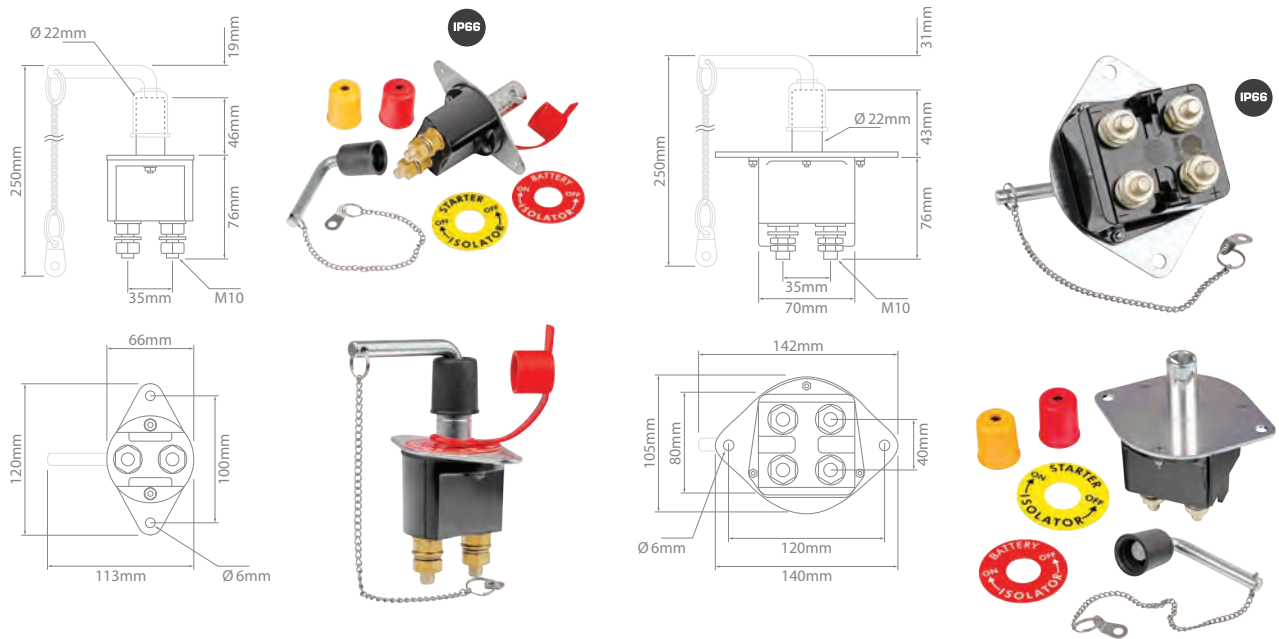
L Handle – Lockable

Part No.	Description	Contacts (A)	
		Intermittent	Continuous
BMS-05L	Single Pole. Supplied with Starter & Battery decals	2500	250
BMS-12L	Double Pole. Supplied with Starter & Battery decals	2500	250

BMS - Manual Switching



BMS-07



BMS-05

BMS-12

L Handle – Removable

Part No.	Description	Contacts (A)	
		Intermittent	Continuous
BMS-07	Single Pole	500	100
BMS-05	Single Pole. Supplied with Starter & Battery decals	2500	250
BMS-12	Double Pole. Supplied with Starter & Battery decals	2500	250



BMS - Manual Switching



BMS-2R



BMS-2Y



BMS-05K



Not supplied with
lockout brackets or
mounting hardware



BMS-05BKT



L Handle - Accessories

Part No.	Description	Suits
BMS-2R	Metal lockout bracket for use with a padlock. Powder coated Red	BMS-05
BMS-2Y	Metal lockout bracket for use with a padlock. Powder coated Yellow	BMS-05
BMS-05K	Spare lever handle key with rubber boot and chain	BMS-05, BMS-12
BMS-05BKT	Metal mounting bracket. Powder coated Black	BMS-05/L

BMS - Manual Switching



L Handle – Accessories cont.

Part No.	Description	Suits
BMS-1R	Metal lockout bracket for use with a padlock. Powder coated Red	BMS-12
BMS-1Y	Metal lockout bracket for use with a padlock. Powder coated Yellow	BMS-12
LS11003-01	Metal lockout bracket for use with a padlock – Stainless steel. Powder coated Red	BMS-12, BMS-05
LS11003-02	Metal lockout bracket for use with a padlock – Stainless steel. Powder coated Yellow	BMS-12, BMS-05
BMS-4R	Metal lockout bracket for use with a padlock. Powder coated Red	BMS-12, BMS-05
BMS-4Y	Metal lockout bracket for use with a padlock. Powder coated Yellow	BMS-12, BMS-05
BMS-12BKT	Metal mounting bracket. Powder coated Black	BMS-12/L
BMS-ES	60mm Brass extension stud – M10	All L Handle



BMS - Manual Switching

Removable Key

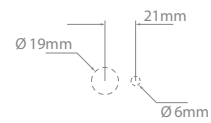
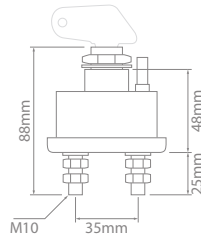


- Weather resistant.
- Removable keys.
- Silver alloy contacts.

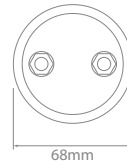
6V
36V

Voltage :
Contacts :
Key :
Body :

6-36V
Silver Alloy
Zinc-plated
Zinc-plated



Mounting Dimensions



Removable Key

Part No.	Description	Contacts (A)		Fits Panel Thickness (mm)
		Intermittent	Continuous	
BMS-10	Single Pole	1000	125	4.8

BMS - Manual Switching

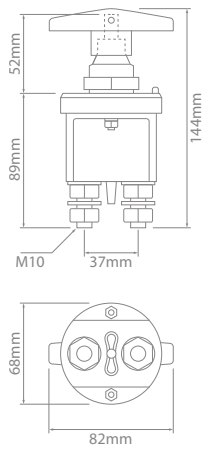
T Handle

- Fixed T handles.
- Marine model (BMS-15) with polyester coating.
- Environmentally sealed.
- BMS-09 silver alloy contacts.

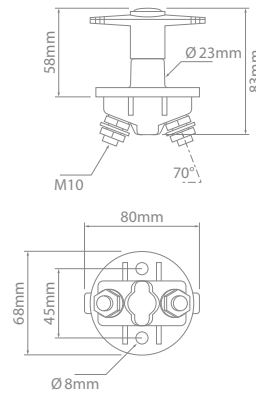


Voltage :	BMS-09 6–36V	BMS-15 6–36V
Contacts :	Silver Alloy	Copper
Handle :	Die-cast	Polymer
Body :	Bakelite	Bakelite
Ingress Protection :	IP65	IP64

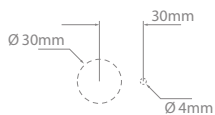
6V
36V



BMS-09



BMS-15



Mounting Dimensions

T Handle

Part No.	Description	Contacts (A)		Fits Panel Thickness (mm)
		Intermittent	Continuous	
BMS-09	Single Pole	2500	250	11
BMS-15	Single Pole Marine	1000	150	—



BMS - Manual Switching

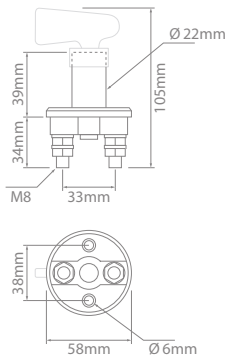
General



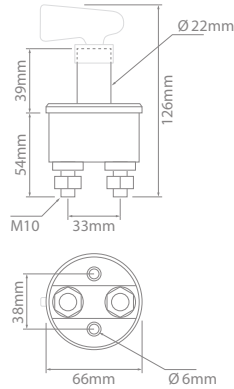
- Removable key.
- Dust cover.
- Corrosion resistant construction.
- BMS-16 features auxiliary contacts.

12V
24V

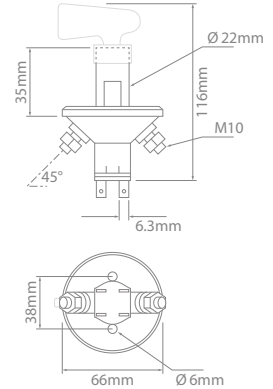
Voltage : 12-24V
 Contacts : Copper
 Handle: Polymer PA6
 Body : Polymer PA6
 Ingress Protection : BMS-08 IP53
 BMS-06, BMS-16 IP43



BMS-06



BMS-08



BMS-16

General

Part No.	Description	Main Contacts (A)		Auxiliary Contacts (A)
		Intermittent	Continuous	Continuous
BMS-06	Single Pole	500	100	—
BMS-08	Single Pole	500	100	—
BMS-16	Single Pole with Auxiliary	500	100	5
BMS-06K	Replacement key			

BMS-16 Auxiliary Contacts: NO & NC.

BMS - Manual Switching

- 2 & 4 position models.
- Removable panels for easy cable entry/access.
- BMS-21 features removable actuator.
- Single and dual battery applications.
- BMS-22 allows for switching between two batteries without power interruption.



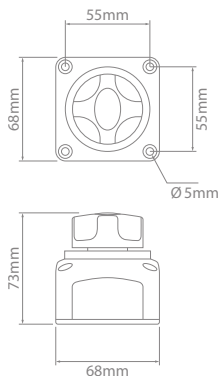
BMS-22



BMS-21

Voltage :
Contacts :
Handle:
Body :

12-24V
Tinned Copper
PBT
Thermoplastic



BMS-21



BMS-22

Marine Series

Part No.	Positions	Current Rating (A)		Terminals
		Intermittent	Continuous	
BMS-21	Off - On	1000	200	2 x 10mm Studs
BMS-22	Off - 1 - 1+2 - 2	1000	100 + 100	3 x 8mm Studs



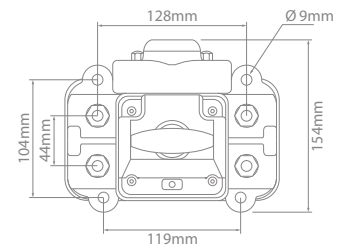
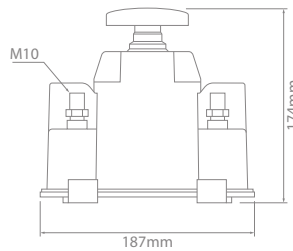
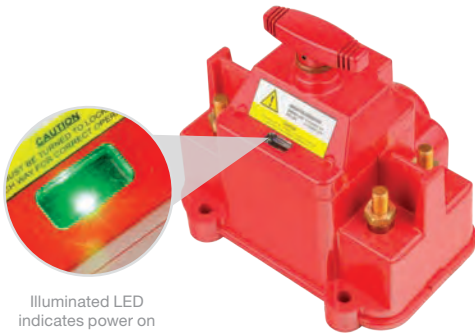
BMS - Remote / Manual Switching

Big Red



- Fully sealed, heavy duty, double pole.
- Designed for commercial, marine and industrial applications, specifically those carrying flammable loads.
- Anti-crack outer case material.
- Highly resistant to impact, fuel oils, petroleum etc.
- Self extinguishing during fire.
- Manual and remote switching capabilities.
- LED display indicates switched position.
- Environmentally sealed – IP66.
- 2-year warranty.

Contacts :	Silver Alloy
Current Rating :	200A @ 5 Min
Current Rating – Intermittent :	500A
Handle :	Zinc Alloy
Body :	Thermoset Polyester
Weight :	3.8kg
Approvals :	AS3947.3.2001, C-Tick
Ingress Protection :	IP66



Delayed Switching – Manual vs Electrical

A unique feature of the Big Red battery isolator is delayed switching of the auxiliary contacts. The delay is different when being electrically switched vs manually switched.

Electrically Switched:
Approximately 2-3 milliseconds prior to the main contacts opening.

Manually Switched:
100-150 millisecond prior to the main contacts opening.

For full details on the iROS Rollover Switch see page 14.



Big Red

Part No.	Voltage	Description
SSB100	24	Battery Isolator for use with AS2809.2 compliant rollover switch
SSB102	12	Battery Isolator for use with AS2809.2 compliant rollover switch

For full details of the iROS Rollover Switch see page 14.

Newsletter

Receive the latest ionnic news and updates
via email, sign up

ionnic.com/product-updates.html



Download the PDF

Connectors 2024

Our latest catalogue is now available to download from the IONNIC website or you can request a printed copy from your local sales representative.

Included in this catalogue:

- Popular TE DEUSTCH.
- Weather-Pack & Metri-Pack.
- Superseal.
- TE AMPSEAL & TE AMPSEAL 16.
- Crimp Connectors.
- Battery Terminals & Cable Lugs.
- High Current.
- Suzi Coils.
- Tail Light Harnesses.
- + More.

Electrical



DEUTSCH

Quality with Genuine TE DEUTSCH

...especially in challenging environments



ionnic.com

BMS - Kits

Battery Lockout Kits



MS-HL03/16

- Kits to suit popular mine site vehicles.
- Install with minimal engine bay modification.
- Models incorporate both a battery isolator and starter isolator.
- Pre-assembled.
- Switches clearly labelled.
- Powder coated brackets.
- Manufactured in Australia.

Brackets :	Powder Coated Aluminium	
Wire Size :		35mm ²
Main Contacts :	Intermittent	1000A
	Continuous	125A
Auxiliary Contacts :	Continuous	20A



MS-PD03/18



MS-LC03/18

Easy Installation

Manufactured in Australia the IONNIC range of battery lockout kits are pre-assembled and designed to be installed with minimal need for drilling or other engine bay modifications. Kits to suit the popular vehicles used on mine sites are available in multiple configurations all with jump start receptacles.

High quality components are used in their construction and the attention to detail extends to the use of terminal insulators and conduit clips to ensure the harness protection will always remain in place.





MS-HL03/16



MS-LC03/18



MS-PD03/18

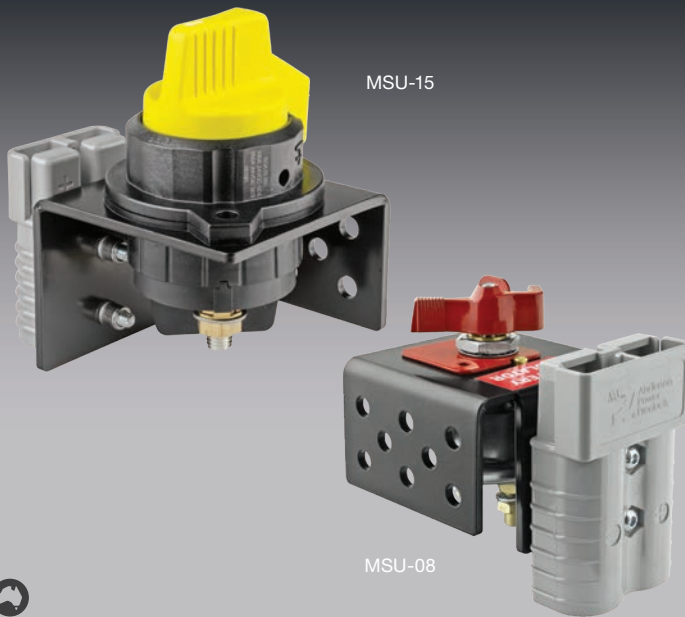
Battery Lockout Kits – Toyota

Part No.	Suits
MS-HL03/16	Hi-Lux – mid 2016 on (diesel & hybrid diesel)
MS-LC03/18	Landcruiser – 70 Series V8 2018 on (diesel only)
MS-PD03/18	Prado – 150 Series 2018 on



BMS - Kits

Universal Lockout Kits



- Compact size.
- Suitable for use on any vehicle.
- Kits to suit battery or starter isolation.
- BMS-17 features auxiliary contacts.
- Available with either a 175A or 350A 'Jump Start Receptacle'.
- Powder coated brackets.
- Manufactured in Australia.

Bracket : Powder Coated Aluminium

For specs on the BMS-001, BMS-002 and BMS-17 see page 28

Universal Lockout Kit Components



Fixed Handle - Metal
BMS Switch
BMS-17



Fixed Handle - Polymer
BMS Switch **Red**
BMS-001



Fixed Handle - Polymer
BMS Switch **Yellow**
BMS-002



Gasket for
BMS-001 &
BMS-002



High Current - 175A
Connector with bolts
SB175



High Current - 350A
Connector with bolts
SB350



Label -
Battery Isolator



Label -
Starter Isolator



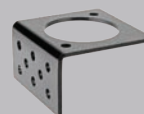
Metal Lockout
Bracket - **Red**
BMS-18R



Metal Lockout
Bracket - **Yellow**
BMS-18Y



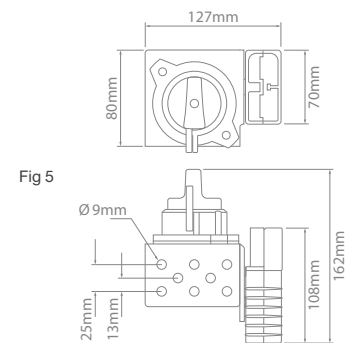
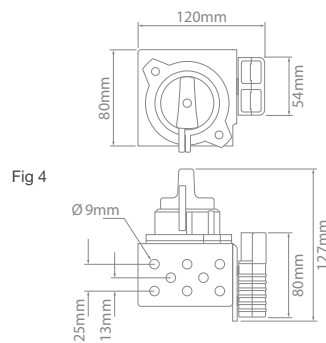
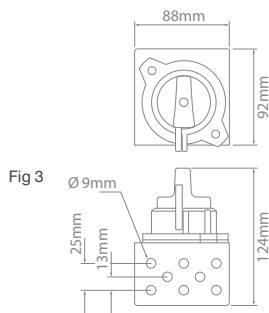
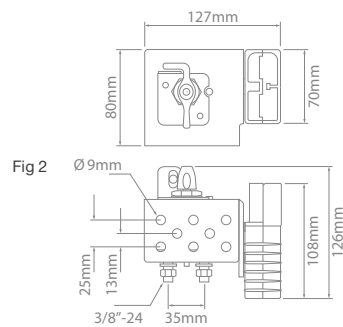
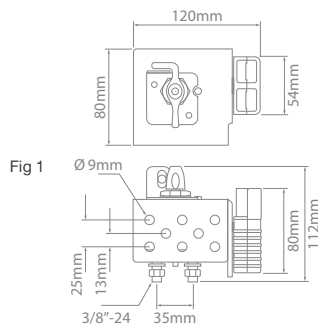
Universal
Mounting Bracket
BMS-005BKT



Universal
Mounting Bracket
BMS-003BKT



Universal
Mounting Bracket
BMS-004BKT



Universal Lockout Kits2

Part No.	Current Rating (A)	BMS Switch	High Current Connector	Lockout Colour	Label		Universal Mounting Bracket	Fig
					Battery Isolator	Starter Isolator		
MSU-04	175	BMS-17	SB175	Red	•	—	BMS-005BKT	1
MSU-05	175	BMS-17	SB175	Yellow	—	•	BMS-005BKT	1
MSU-08	350	BMS-17	SB350	Red	•	—	BMS-005BKT	2
MSU-09	350	BMS-17	SB350	Yellow	—	•	BMS-005BKT	2
MSU-01	—	BMS-001*	—	Red	•	—	BMS-003BKT	3
MSU-02	—	BMS-002*	—	Yellow	—	•	BMS-003BKT	3
MSU-14	175	BMS-001*	SB175	Red	•	—	BMS-004BKT	4
MSU-15	175	BMS-002*	SB175	Yellow	—	•	BMS-004BKT	4
MSU-18	350	BMS-001*	SB350	Red	•	—	BMS-004BKT	5
MSU-19	350	BMS-002*	SB350	Yellow	—	•	BMS-004BKT	5

*Includes gasket.

All kits supplied in component form.

Most components available separately.



BMS - Accessories

Terminal Insulators



Made in North America

- Protects terminals from electrical shorts and shocks.
- Colour coded for easy identification.
- Wide range of sizes & styles available.
- 200 Series feature finger tab for easy removal.
- Bulk packs available.
- Made in North America.

Material :
Operating Temperature :
Burning Behaviour :

Flexible PVC
105°C max.
UL94V2



SY2906-RED
(Right hand)



SY2914-BLK
(Left hand)



SY2915-RED
(Double)

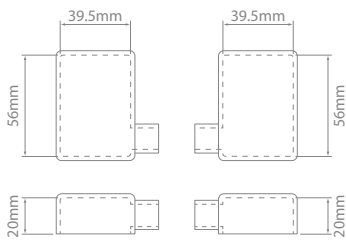


Fig 1

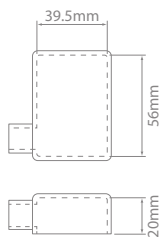


Fig 2

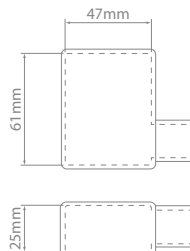


Fig 3

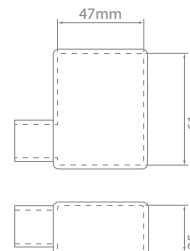


Fig 4

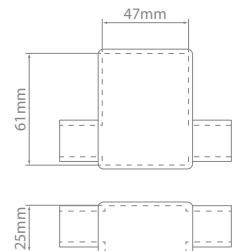
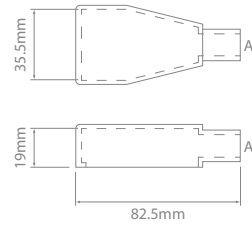


Fig 5

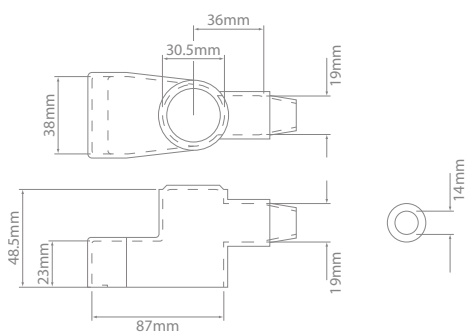
Battery Terminal Insulators

Red	Black	Pack Qty	Post Height (mm)	Cable Ø (mm)	Cable Entry	Material Thickness (mm)	Fig
SY2906-RED	SY2906-BLK	1	20	12.5	Right Hand	1.5	1
SY2910-RED	SY2910-BLK	1	20	12.5	Left Hand	1.5	2
SY2912-RED	SY2912-BLK	1	25	17.5	Right Hand	2.3	3
SY2914-RED	SY2914-BLK	1	25	17.5	Left Hand	2.3	4
SY2915-RED	SY2915-BLK	1	25	17.5	Double	2.3	5



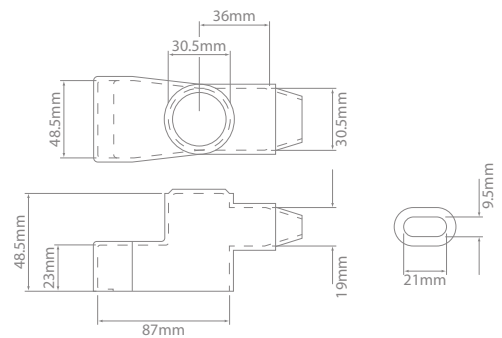
Battery Terminal Insulators – Straight Leads

Red	Black	Pack Qty	Post Height (mm)	Cable Ø A (mm)	Material Thickness (mm)
SY2917-RED	SY2917-BLK	1	19	12.5	2.3
SY2917R/100	SY2917B/100	100			
SY2919-RED	SY2919-BLK	1	19	16	2.3
SY2919R/100	SY2919B/100	100			



SY2990

Fig 1



SY2995

Fig 2

Battery Terminal Insulators

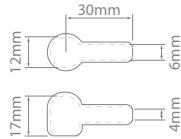
Red	Black	Pack Qty	Terminal Ø (mm)	Post Height (mm)	Material Thickness (mm)	Fig
SY2990-RED	SY2990-BLK	1	30.5	23	2	1
SY2990R/100	SY2990B/100	100				
SY2995-RED	SY2995-BLK	1	30.5	23	2	2
SY2995R/100	SY2995B/100	100				



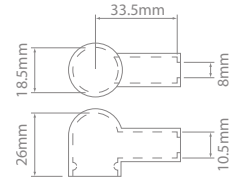
BMS - Accessories



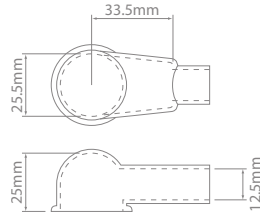
SY2900



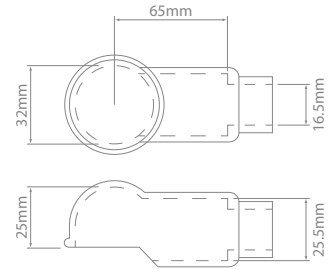
SY2980



SY2982



SY2984

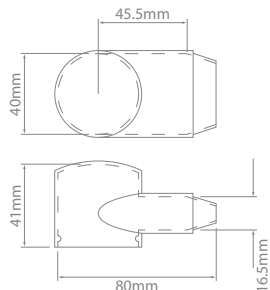


Terminal Insulators – Lug & Ring

Red	Black	Pack Qty	Terminal Ø (mm)	Post Height (mm)	Terminal Length (mm)	Inside Grip (mm)	Cable Ø (mm)	Material Thickness (mm)
SY2900-RED	SY2900-BLK	1	13	16	21	6	4 – 6	1
SY2900R/100	SY2900B/100	100						
SY2980-RED	SY2980-BLK	1	18.5	26	33.5	10.5	8	1.5
SY2980R/100	SY2980B/100	100						
SY2982-RED	SY2982-BLK	1	25.5	25	33.5	12.5	12.5	1.5
SY2982R/100	SY2982B/100	100						
SY2984-RED	SY2984-BLK	1	32	25	65	25.5	16.5	2.5
SY2984R/100	SY2984B/100	100						

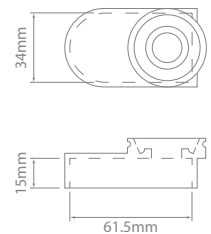


SY2999-RED



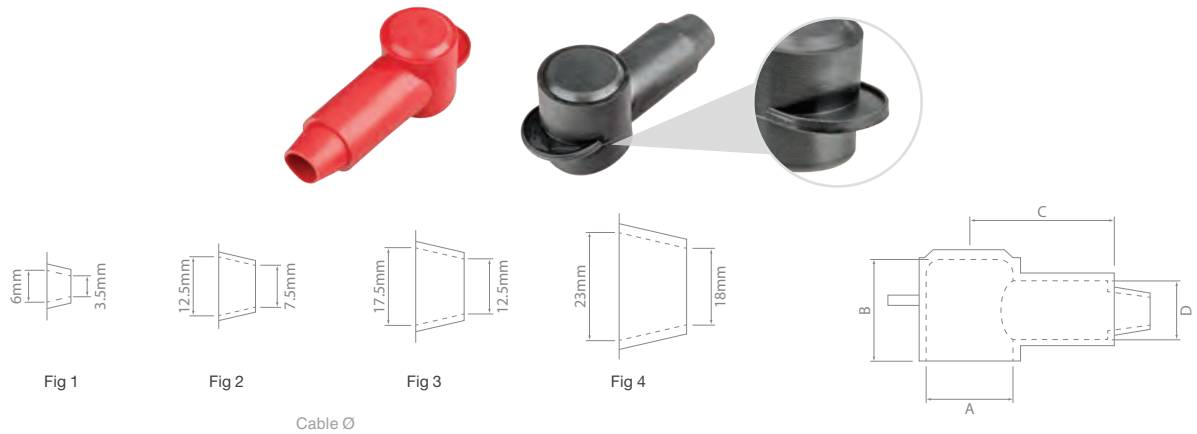
SY2998-RED

SY2998-RED



Terminal Insulators – Lug & Ring – Marine

Red	Black	Pack Qty	Terminal Ø (mm)	Post Height (mm)	Terminal Length (mm)	Material Thickness (mm)
SY2999-RED	SY2999-BLK	1	40	41	58.5	1.5
SY2999R/100	SY2999B/100	100				
SY2998-RED	SY2998-BLK	1	Base for use with SY2999			2.5



Terminal Insulators – Lug & Ring – 200 Series

Red	Black	Pack Qty	Terminal Ø A (mm)	Post Height B (mm)	Terminal Length C (mm)	Inside Grip D (mm)	Cable Ø Fig	Material Thickness (mm)
SY2959-RED	SY2959-BLK	1	12	18	25.5	12.5	1	1.5
SY2959R/100	SY2959B/100	100						
SY2960-RED	SY2960-BLK	1	14	19	25.5	12.5	1	1.5
SY2960R/100	SY2960B/100	100						
SY2963-RED	SY2963-BLK	1	16	20.5	25.5	12.5	2	1.5
SY2963R/100	SY2963B/100	100						
SY2965-RED	SY2965-BLK	1	18	22	25.5	12.5	2	1.5
SY2965R/100	SY2965B/100	100						
SY2966-RED	SY2966-BLK	1	20	24	33.5	18	3	1.8
SY2966R/100	SY2966B/100	100						
SY2968-RED	SY2968-BLK	1	22	26.5	44.5	19	3	1.8
SY2968R/100	SY2968B/100	100						
SY2971-RED	SY2971-BLK	1	26	32	52.5	18	3	2
SY2971R/100	SY2971B/100	100						
SY2970-RED	SY2970-BLK	1	28	33.5	44.5	19	3	2.3
SY2970R/100	SY2970B/100	100						
SY2973-RED	SY2973-BLK	1	32	38	44.5	23	4	2.5
SY2974-RED	SY2974-BLK	1	32	38	60.5	23	4	2.5
SY2974R/100	SY2974B/100	100						
SY2975-RED	SY2975-BLK	1	32	38	44.5	23	4	2.5
SY2975R/100	SY2975B/100	100						



Extension Studs

Part No.	Description
BMS-ES	60mm brass extension stud – M10
BMS-IMP	60mm brass extension stud – 3/8"-24

